



CLINTON TOWNSHIP, MI

586.790.6100

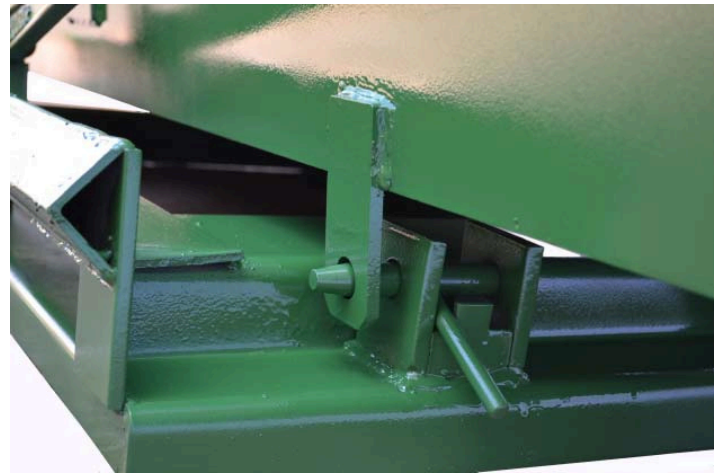
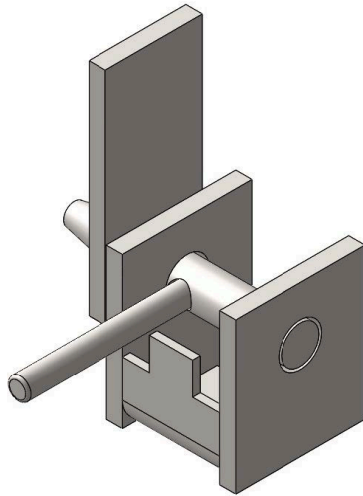
HOLLY SPRINGS, MS

662.252.1421

ROURAMH.COM

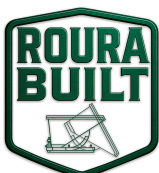
SLIDE BOLT LATCH

SBL-ASM



Description: The slide bolt latch provides an additional secure lock to prevent the hopper from dumping. In stock for immediate shipping for parts order.

Availability: Available on all models. Provide hopper model number to ensure order accuracy.



“FOR ALL OF YOUR MATERIAL HANDLING NEEDS!”