



CLINTON TOWNSHIP, MI  
 586.790.6100  
 HOLLY SPRINGS, MS  
 662.252.1421  
[ROURAMH.COM](http://ROURAMH.COM)

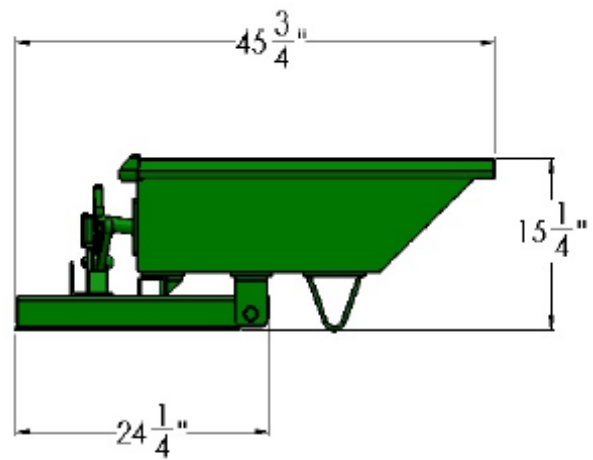
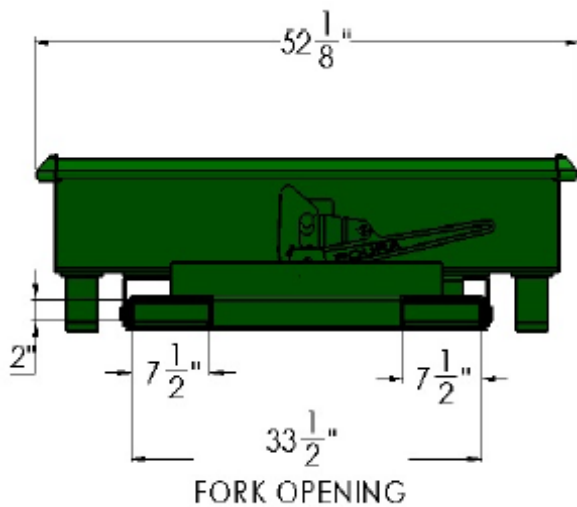
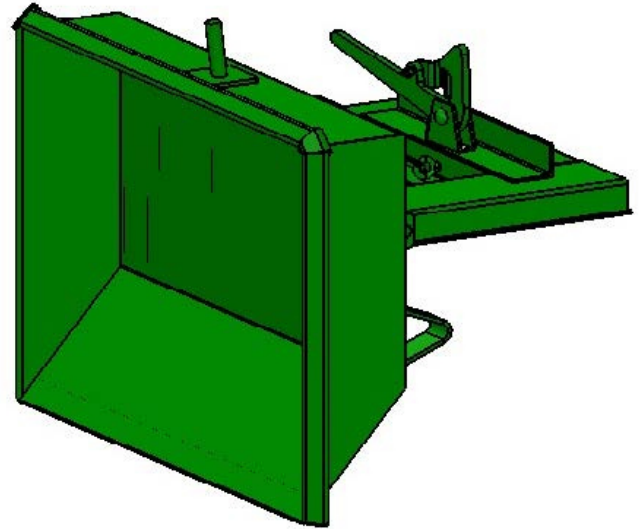
# 90° HOPPER

D90-068 1/4 CU. YD

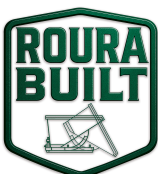


## CONSTRUCTION:

- 10 gauge plate body.
- 1/4" formed base w/ 90° lever action.
- Standard Items:
  - Ductile Iron Handle
  - Secure Flip Latch
  - Mast Secure Chain
- Painted Roura Green (other colors optional)
- Optional Items are Available [Here](#)
- **THIS ITEM IS NOT RETURNABLE**



MODEL #	SIZE	L	W	H	FORK OPENING	LOAD CAPACITY	WEIGHT
D90-068	1/4 CU. YD	45 3/4"	52 1/8"	15 1/4"	2" X 33 1/2"	1,000 LBS	335 LBS



**“FOR ALL OF YOUR MATERIAL HANDLING NEEDS!”**