



CLINTON TOWNSHIP, MI

586.790.6100

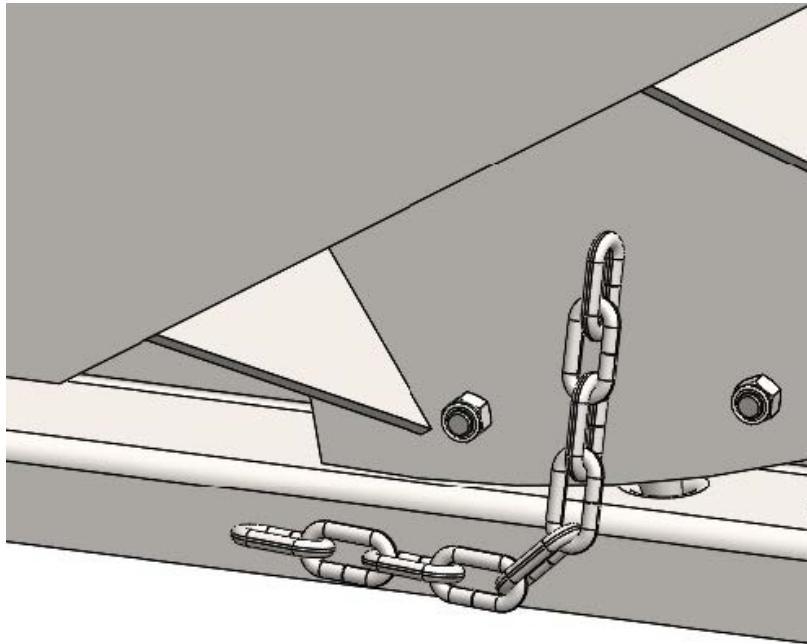
HOLLY SPRINGS, MS

662.252.1421

[ROURAMH.COM](http://ROURAMH.COM)

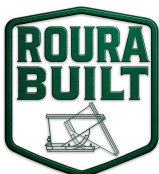
# BASE TO BODY CHAINS

CHAIN-30-SSC

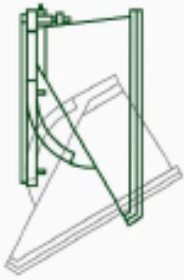


**Description:** (2) Base to body chains per hopper. In stock for immediate shipping.

**Note:** Provide hopper model number to ensure order accuracy.

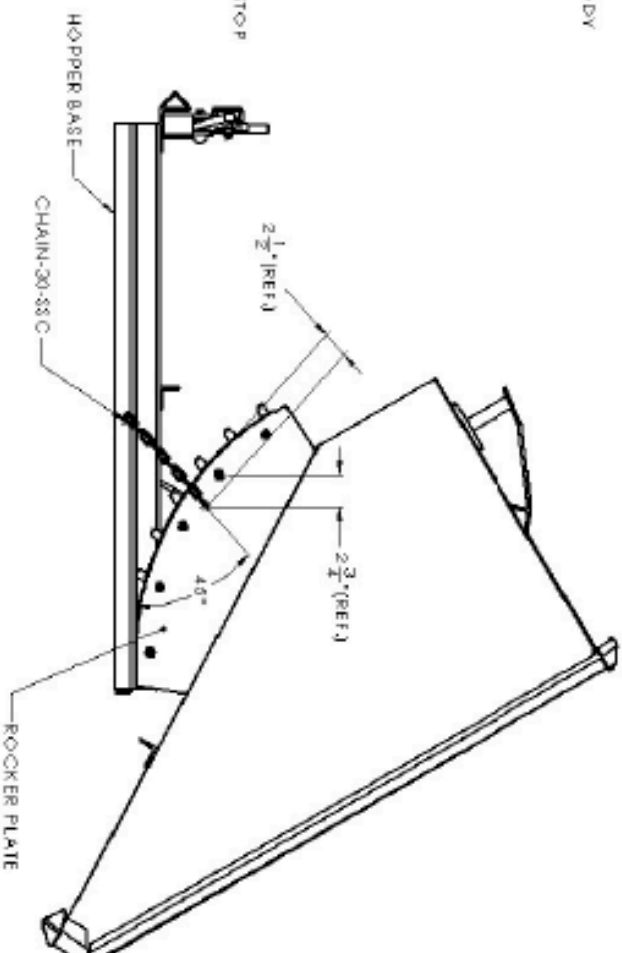
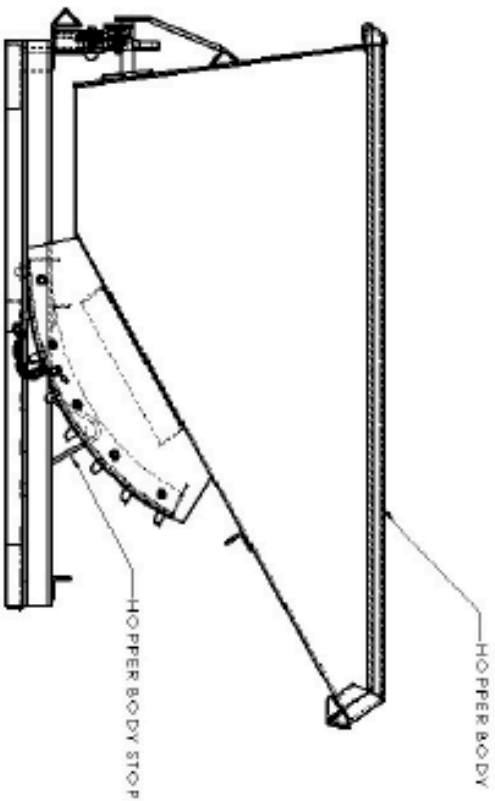


**“FOR ALL OF YOUR MATERIAL HANDLING NEEDS!”**



**ROURA**  
MATERIAL HANDLING

## BASE TO BODY CHAIN INSTALLATION.



**NOTE:**  
WELD END CHAIN LINK ON ROCKER PLATE AS SHOWN,  
WHEN HOPPER BODY IS IN FULL DUMP POSITION (HOPPER BODY AGAINST STOPS).  
ANGLE CHAIN BACK TOWARDS HOPPER BASE AT A 45 DEG ANGLE.  
HOLD CHAIN FULLY EXTENDED AGAINST BASE BEFORE WELDING END TO BASE.

ENG100R1