



CLINTON TOWNSHIP, MI
 586.790.6100
 HOLLY SPRINGS, MS
 662.252.1421
ROURAMH.COM

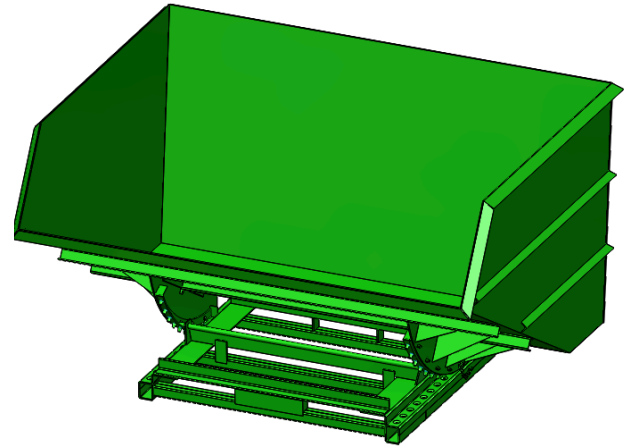
BEHEMOTH HOPPER

5T-1/4-EL-2430 9 CU. YD

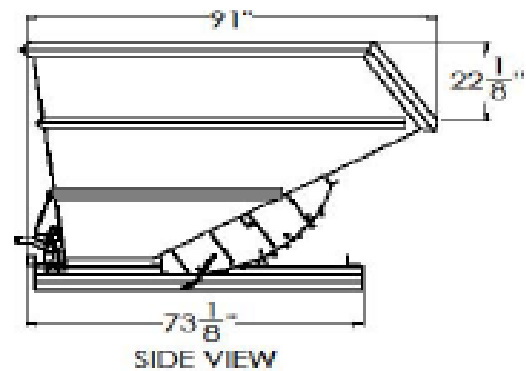
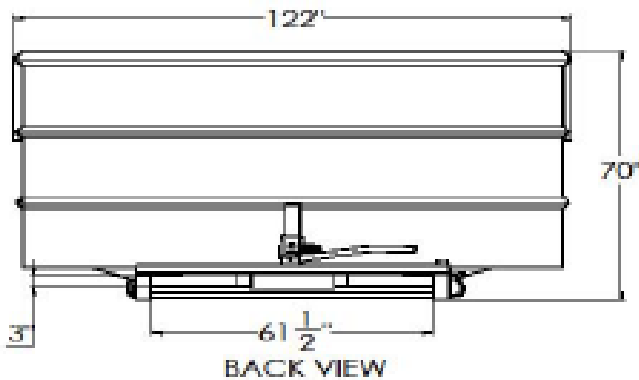


CONSTRUCTION:

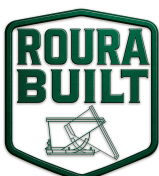
- 1/4" bottom plate.
- 7 Ga. plate sides/back & 2 rows of reinforced angle.
- 5/16" formed box tube base.
 - Body is 100% continuous weld
- Standard Items:
 - Behemoth Auto-Latch Handle
 - Secure Flip Latch & Mast Secure Chain
 - Continuous Stops, Base to Body Chains, & Slide Bolt Latch
- Painted Roura Green (other colors optional)
- Only option available on Behemoth model is a drain.
- **THIS ITEM IS NOT RETURNABLE**



BEHEMOTH 5T-1/4-EL-2430



| MODEL # | SIZE | L | W | H | LH | FORK OPENING | LOAD CAPACITY | WEIGHT |
|----------------|----------|-----|------|-----|---------|--------------|---------------|----------|
| 5T-1/4-EL-2430 | 9 CU. YD | 91" | 122" | 70" | 47 7/8" | 3" X 61 1/2" | 10,000 LBS | 2820 LBS |



"FOR ALL OF YOUR MATERIAL HANDLING NEEDS!"