



CLINTON TOWNSHIP, MI
 586.790.6100
 HOLLY SPRINGS, MS
 662.252.1421
ROURAMH.COM

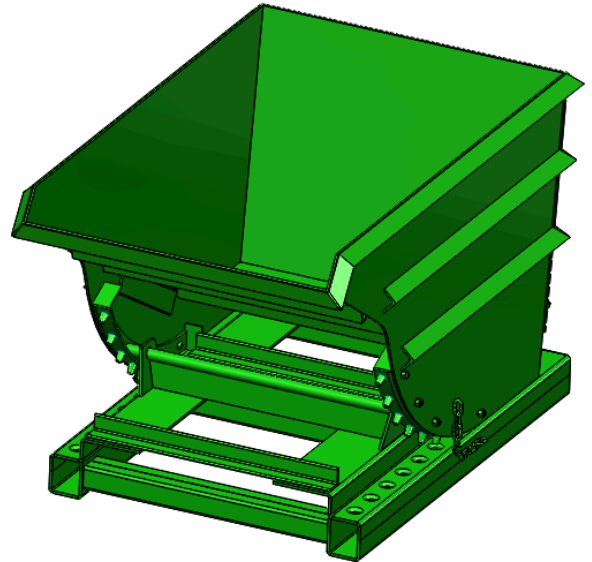
ULTIMATE HOPPER

4T-1/4-270 1 CU. YD

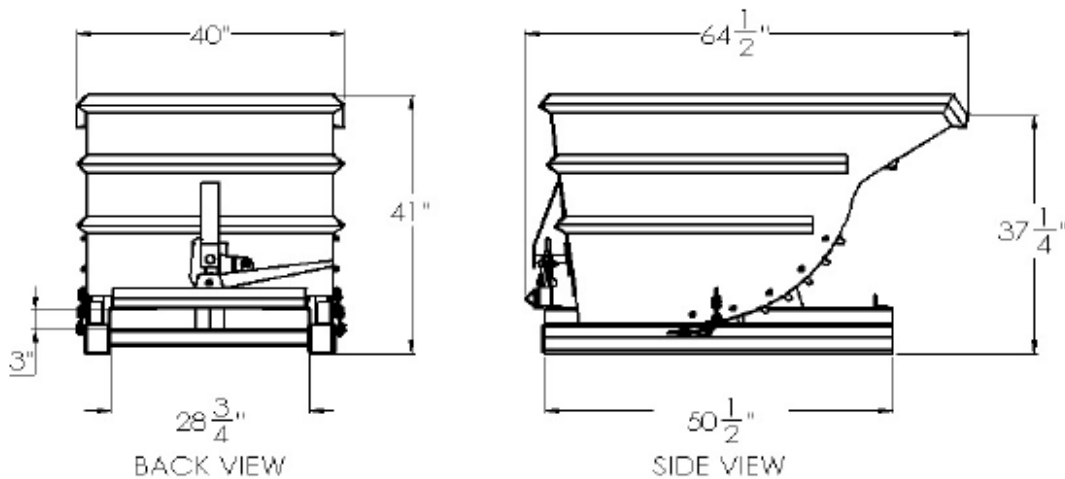


CONSTRUCTION:

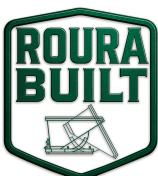
- 1/4" plate body & 2 rows of reinforced angle.
- 5/16" formed box tube base.
 - Body is 100% continuous weld
- Standard Items:
 - Steel Handle
 - Secure Flip Latch
 - Mast Secure Chain
 - Continuous Stops & Base to Body Chains
- Painted Roura Green (other colors optional)
- Optional Items are Available [Here](#)



ULTIMATE 4T-1/4-270



MODEL #	SIZE	L	W	H	LH	FORK OPENING	LOAD CAPACITY	WEIGHT
4T-1/4-270	1 CU. YD	64 1/2"	40"	41"	37 1/4"	3" X 28 3/4"	8,000 LBS	990 LBS



“FOR ALL OF YOUR MATERIAL HANDLING NEEDS!”