



**ROURA**  
MATERIAL HANDLING

Michigan: (800) 968-9070

Mississippi: (800) 654-9147

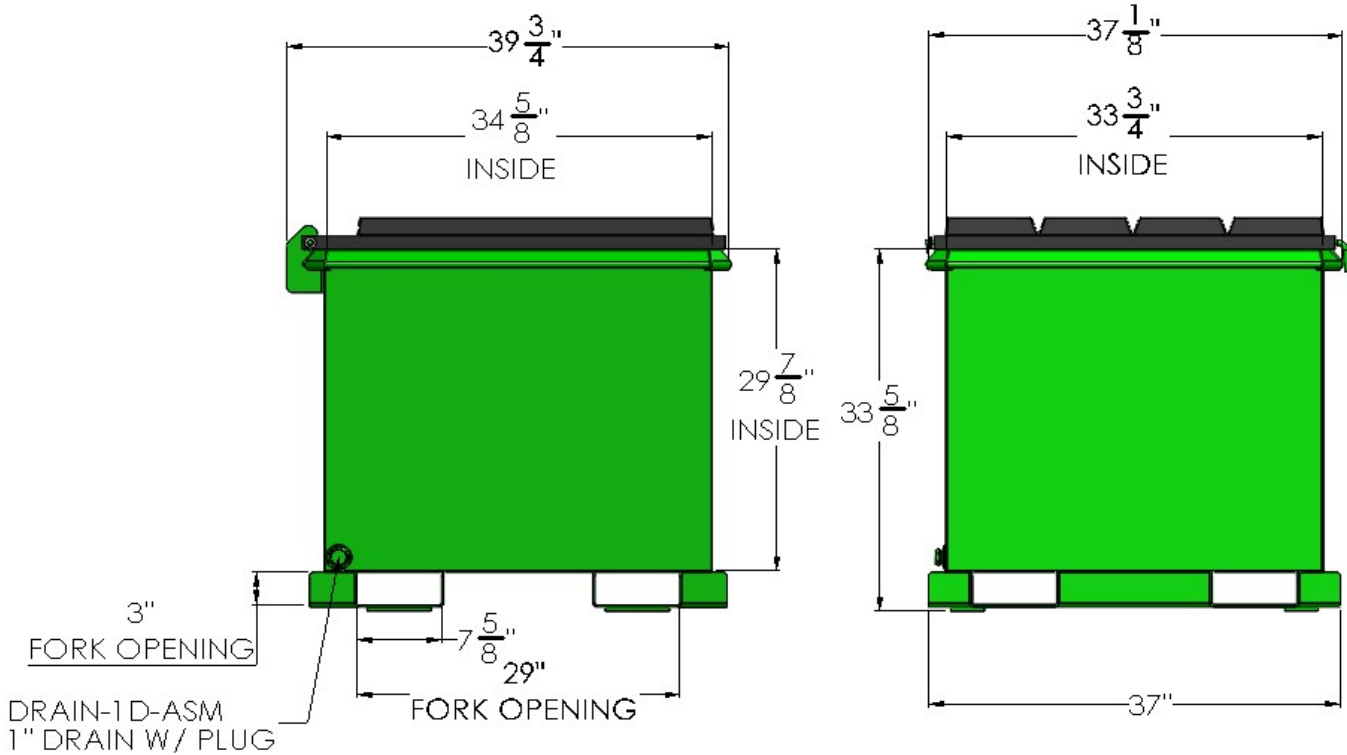
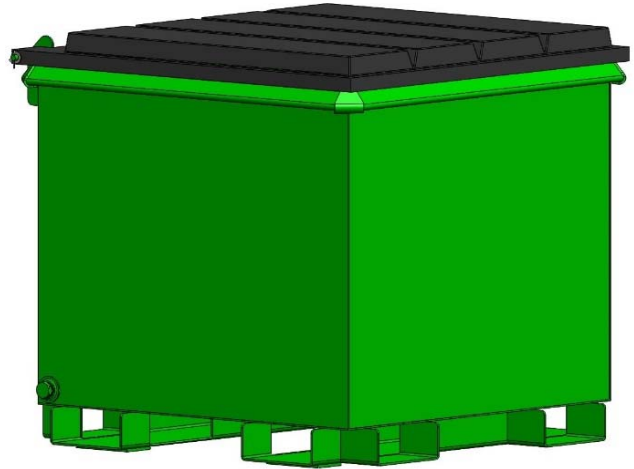
rouramh.com



## RRB-10-205 (RUGGED ROTATOR BOX)

MODEL #	L	W	H	WEIGHT
RRB-10-205	37"	39 3/4"	33 3/8"	263 LBS

The Rugged Rotator Box is designed for the collection and storage of bulk and scrap material. This box can be dumped using a forklift equipped with a rotational fork attachment. The standard model is made of all welded carbon steel with drain plug, 4-way fork entry and plastic lid.



- **10 GAUGE STEEL BOTTOM, 10 GAUGE STEEL FORMED SIDES. FORMED BOX TUBE FORK OPENINGS FOR SUPERIOR STRENGTH WITH SKID RESISTANCE PLATES.**
- **4000 LBS. MAX LOAD CAPACITY.**
- **BRIGHT SAFETY GREEN ENAMEL PAINT.**
- **OPTIONS: CASTERS, CRANE EYES, CUSTOM COLORS.**
- **CUSTOM SIZES ARE AVAILABLE UPON REQUEST.**

**"FOR ALL YOUR MATERIAL HANDLING NEEDS!"**