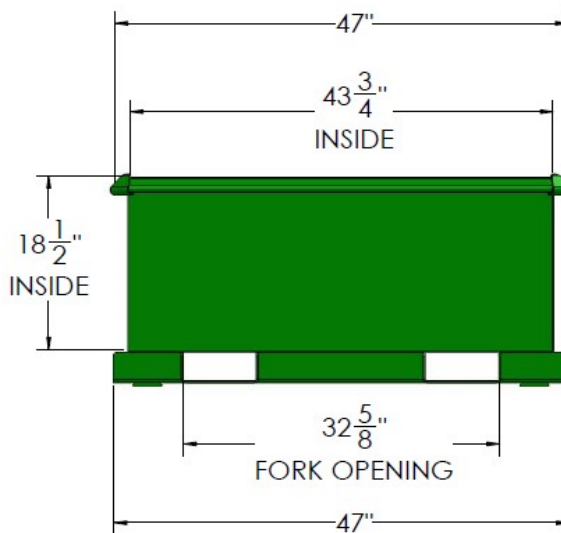
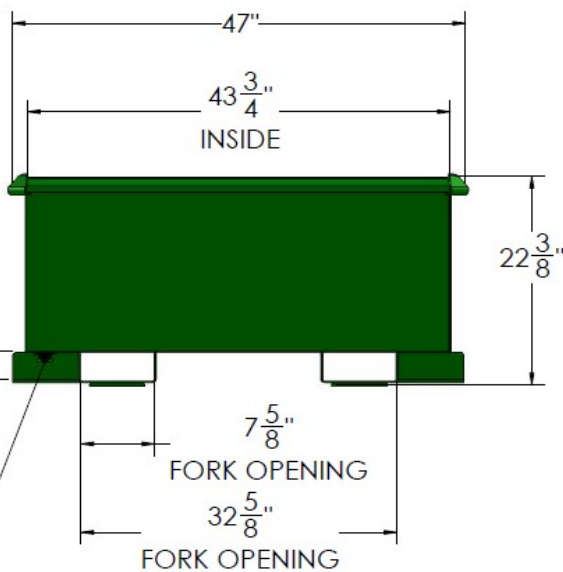
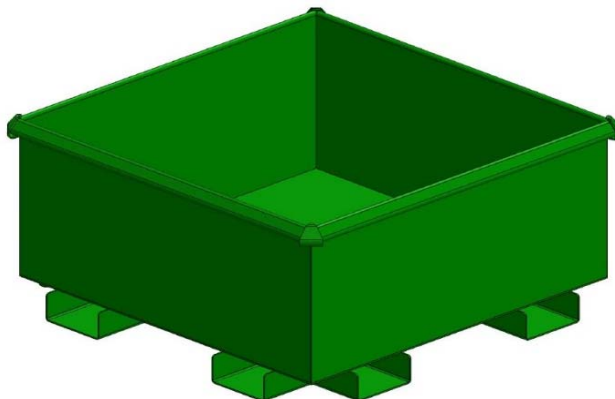


## RTB-RUG-205 (RUGGED ROTATOR BOX) 4000 LBS

MODEL #	L	W	H	WEIGHT
RTB-RUG-205	47"	47"	22 3/8"	372 LBS

### 3/4 YARD VOLUME CAPACITY

The Rugged Rotator Box is designed for the collection and storage of bulk and scrap material. This box can be dumped using a forklift equipped with a rotational fork attachment. The standard model is made of all welded carbon steel with drain plug and 4-way fork entry.



- 7 GAUGE STEEL BOTTOM WITH DRAIN AND PLUG, 7 GAUGE STEEL FORMED SIDES. BOX TUBE FORK OPENINGS FOR SUPERIOR STRENGTH WITH SKID PLATES.
- 4000 LBS. MAX LOAD CAPACITY.
- BRIGHT SAFETY GREEN ENAMEL PAINT (OPTIONAL COLORS AVAILABLE).
- STACKABLE (3 EMPTY BOXES HIGH RECOMMENDED).
- OPTIONS: STEEL HINGED COVER, STEEL REMOVABLE COVER, CASTERS, CRANE EYES, TARPS.
- CUSTOM SIZES ARE AVAILABLE UPON REQUEST.

"FOR ALL YOUR MATERIAL HANDLING NEEDS!"



**ROURA**  
MATERIAL HANDLING

Michigan: (800) 968-9070

Mississippi: (800) 654-9147

rouoramh.com



**Made In  
the U.S.A.**