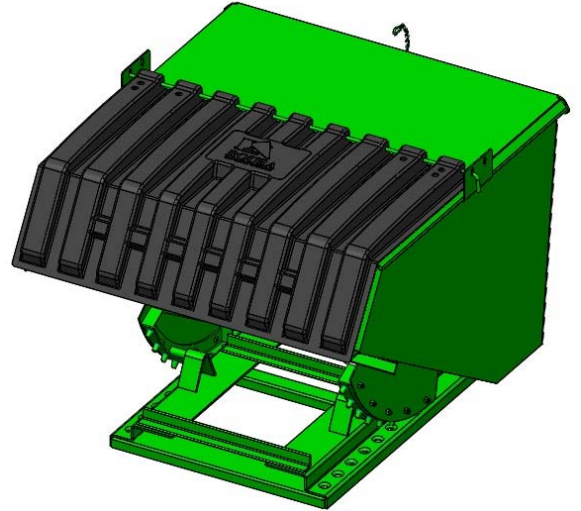


**ROURA**  
MATERIAL HANDLING

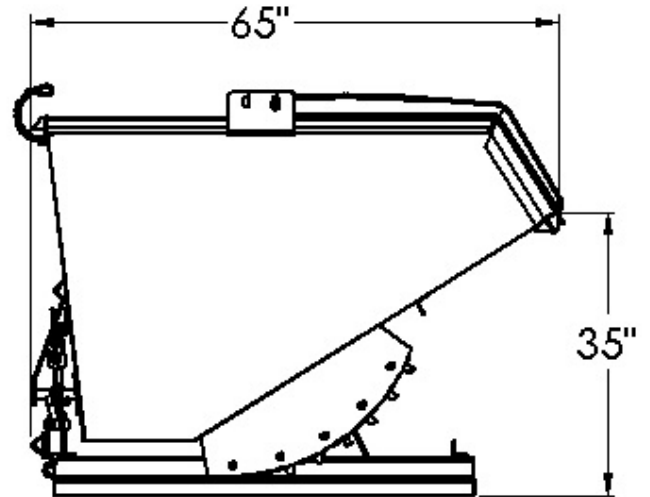
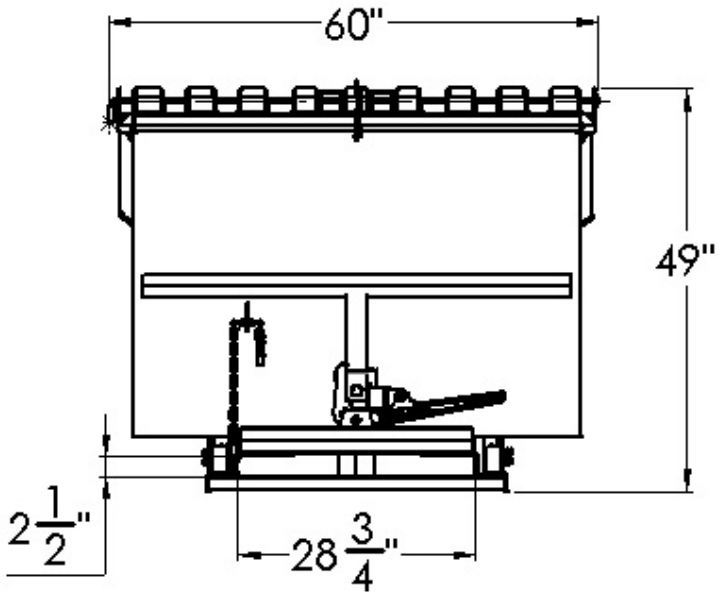


## PLASTIC LID HOPPER MODEL

H-PLDB-540 2 CU YD



H-PLDB-540



**THIS ITEM IS NON-RETURNABLE**

MODEL #	SIZE	L	W	H	LH	FORK OPENING	WEIGHT	CAPACITY
H-PLDB-540	2 CU YD	65"	60"	49"	35"	2 1/2" X 28 3/4"	911 LBS	6,000 LBS

### STANDARD ITEMS

- DUCTILE IRON HANDLE
- SECURE FLIP LATCH
- MAST SECURE CHAIN
- DURABLE SINGLE WALL POLY LID
- DRIP ANGLE FOR LIQUID COLLECTING
- SECURE LID CHAIN (FOR DUMPING PURPOSE)
- PAINTED ROURA GREEN (OPTIONAL COLORS ARE AVAILABLE)