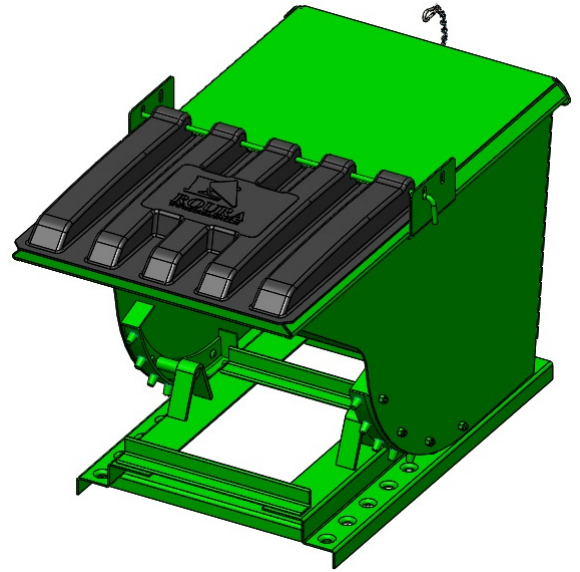


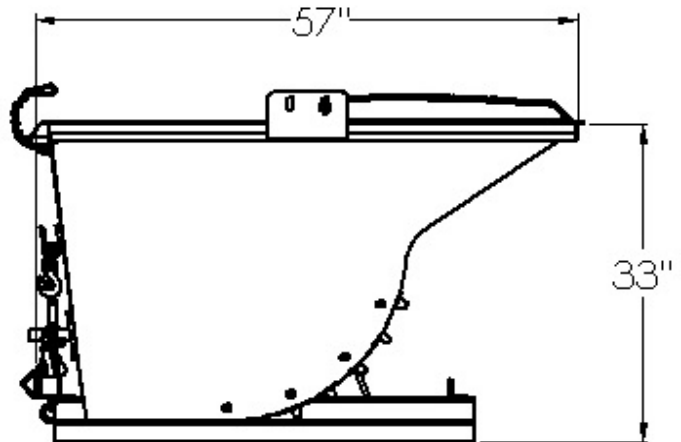
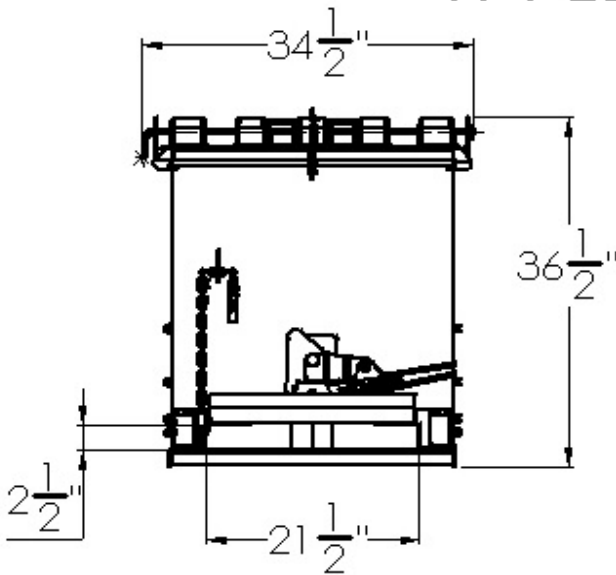
ROURA
MATERIAL HANDLING

PLASTIC LID HOPPER MODEL

H-PLDB-135 1/2 CU YD



H-PLDB-135



THIS ITEM IS NON-RETURNABLE

MODEL #	SIZE	L	W	H	LH	FORK OPENING	WEIGHT	CAPACITY
H-PLDB-135	1/2 CU YD	57"	34 1/2"	36 1/2"	33"	2 1/2" X 21 1/2"	467 LBS	4,000 LBS

STANDARD ITEMS

- DUCTILE IRON HANDLE
- SECURE FLIP LATCH
- MAST SECURE CHAIN
- DURABLE SINGLE WALL POLY LID
- DRIP ANGLE FOR LIQUID COLLECTING
- SECURE LID CHAIN (FOR DUMPING PURPOSE)
- PAINTED ROURA GREEN (OPTIONAL COLORS ARE AVAILABLE)