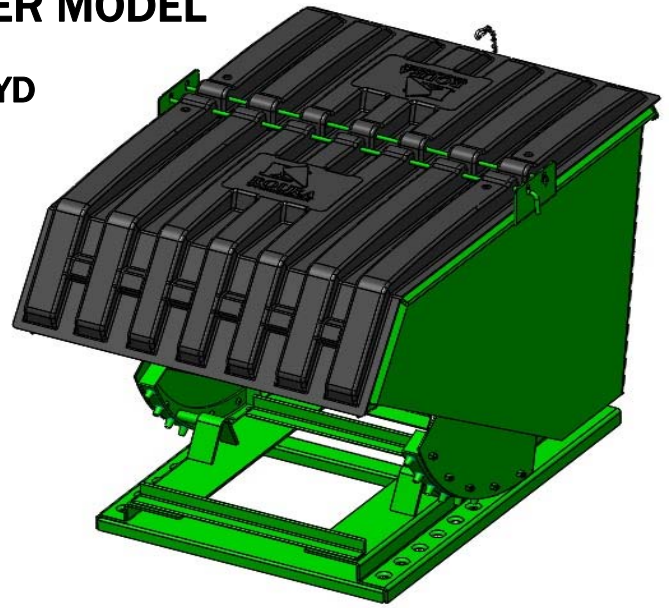


**ROURA**  
MATERIAL HANDLING

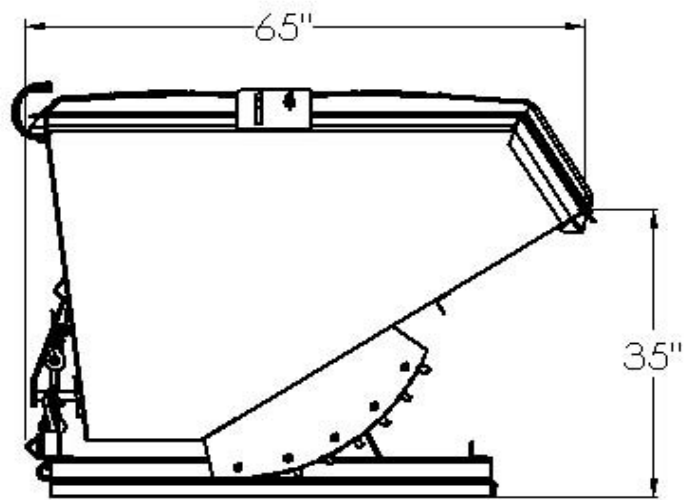
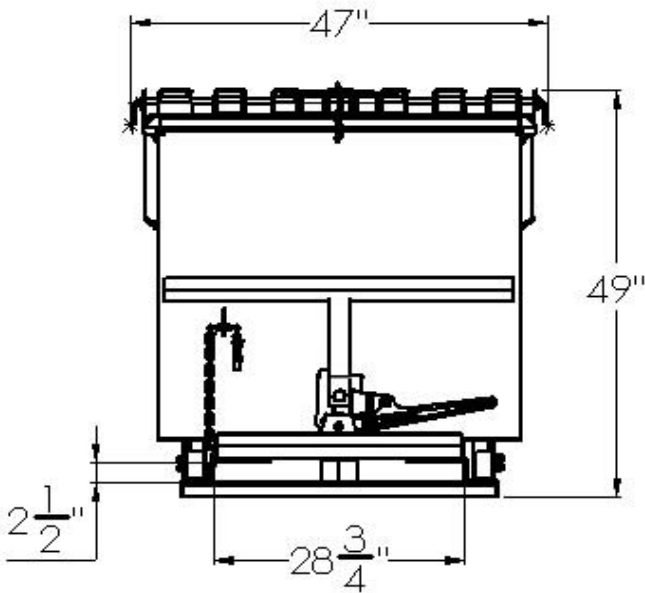


**PLASTIC LID HOPPER MODEL**

**H-PLDA-410 1 1/2 CU YD**



H-PLDA-410



**THIS ITEM IS NON-RETURNABLE**

| MODEL #    | SIZE        | L   | W   | H   | LH  | FORK OPENING     | WEIGHT  | CAPACITY  |
|------------|-------------|-----|-----|-----|-----|------------------|---------|-----------|
| H-PLDA-410 | 1 1/2 CU YD | 65" | 47" | 49" | 35" | 2 1/2" X 28 3/4" | 779 LBS | 6,000 LBS |

**STANDARD ITEMS**

- DUCTILE IRON HANDLE
- SECURE FLIP LATCH
- MAST SECURE CHAIN
- DURABLE SINGLE WALL POLY LID
- DRIP ANGLE FOR LIQUID COLLECTING
- SECURE LID CHAIN (FOR DUMPING PURPOSE)
- PAINTED ROURA GREEN (OPTIONAL COLORS ARE AVAILABLE)