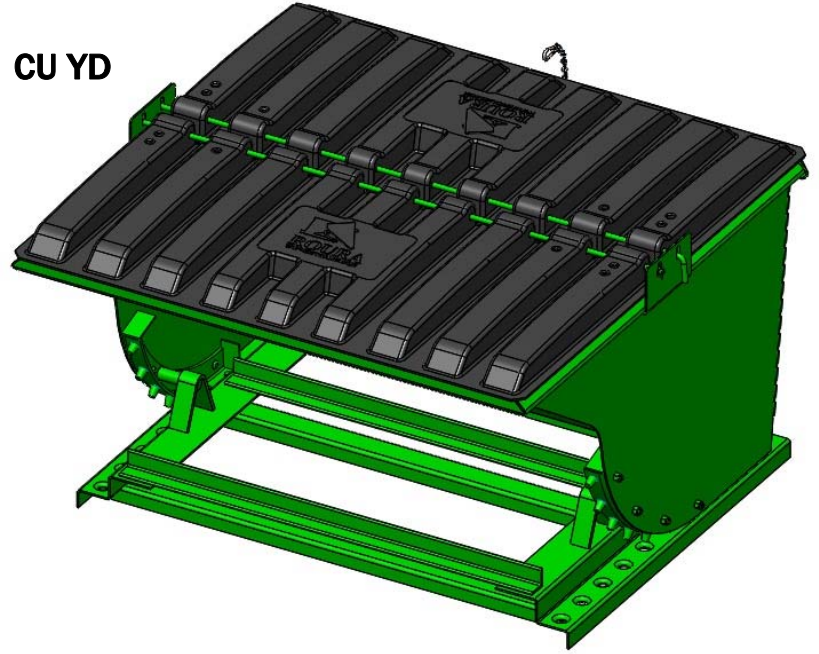


ROURA
MATERIAL HANDLING

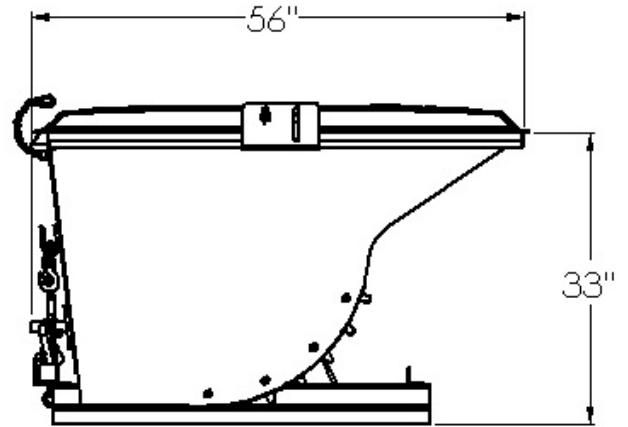
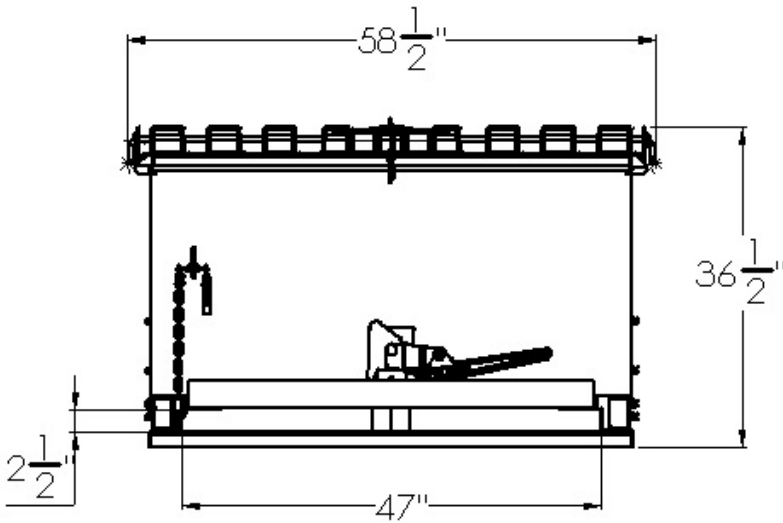


PLASTIC LID HOPPER MODEL

H-PLDA-270 1 CU YD



H-PLDA-270



THIS ITEM IS NON-RETURNABLE

MODEL #	SIZE	L	W	H	LH	FORK OPENING	WEIGHT	CAPACITY
H-PLDA-270	1 CU YD	56"	58 1/2"	36 1/2"	33"	2 1/2" X 47"	637 LBS	6,000 LBS

STANDARD ITEMS

- DUCTILE IRON HANDLE
- SECURE FLIP LATCH
- MAST SECURE CHAIN
- DURABLE SINGLE WALL POLY LID
- DRIP ANGLE FOR LIQUID COLLECTING
- SECURE LID CHAIN (FOR DUMPING PURPOSE)
- PAINTED ROURA GREEN (OPTIONAL COLORS ARE AVAILABLE)