

Roura Material Handling, Inc.

35355 Forton Ct. Clinton Twp., Mi. 48035
Ph. (586)790-6100 Fax (586)790-6102
www.RouraMH.com

A-FRAME OPERATION AND SERVICE INSTRUCTION

- Make sure that all operation, service and safety information for this product is carefully read and understood before the a-frame product is to be used.
- The a-frame product should only be used to store stone slabs in its design position (as shown in figure 1).
- Always fasten slabs carefully before placement of the material onto the a-frame.
- **Never walk under or stand under a suspended load.**
- Always keep the operation, service and safety documentation near the a-frame product while in use for future reference.
- In case of damaged product, please contact the manufacturer or dealer immediately.
- Always inspect parts to insure components are properly assembled and installed.
- Handle stone with care while on the a-frame.
- All a-frames should be located on level, flat and hard floors for proper installation.
- All a-frames should be secure to floor with provided holes in the a-frame uprights.
- All slabs should be loaded for storing with equal amounts of slabs on each side of the a-frame (as shown in figure 2).
- All slabs should be secured down to the a-frame during storage use to prevent slab movement.
- Never use the RAF-60 and RAF-60-ULT models for transporting or moving slabs. This product is designed for storage use only.
- Stored slabs should not differ by more than 3 slabs per side at any time (as shown in figure 3).
- Always make sure that no personnel are near the area of this product during use/storage.
- Be sure to execute safe clothing practices when using this product in accordance with valid regulation.
- Always provide a clean and well lit area for the a-frame product during use to avoid dangerous environment.
- Remove all articles from the work/storage area, which can have a negative impact on the proper use of the a-frame.
- Always inspect the a-frame before each use. Check all parts and welded seams for damage or rusted surfaces to the product. In case of defects, **DO NOT USE THE A-FRAME**. Report all defected issues to the appropriate personnel.
- **ONLY AUTHORIZED PERSONS MAY USE THE A-FRAME. EACH USER MUST HAVE READ AND UNDERSTOOD THIS DOCUMENT.**

RAF-60

SLAB SHOULD BE POSITIONED ON A-FRAME AS SHOWN WITH NO GAP BETWEEN A-FRAME AND SLAB.

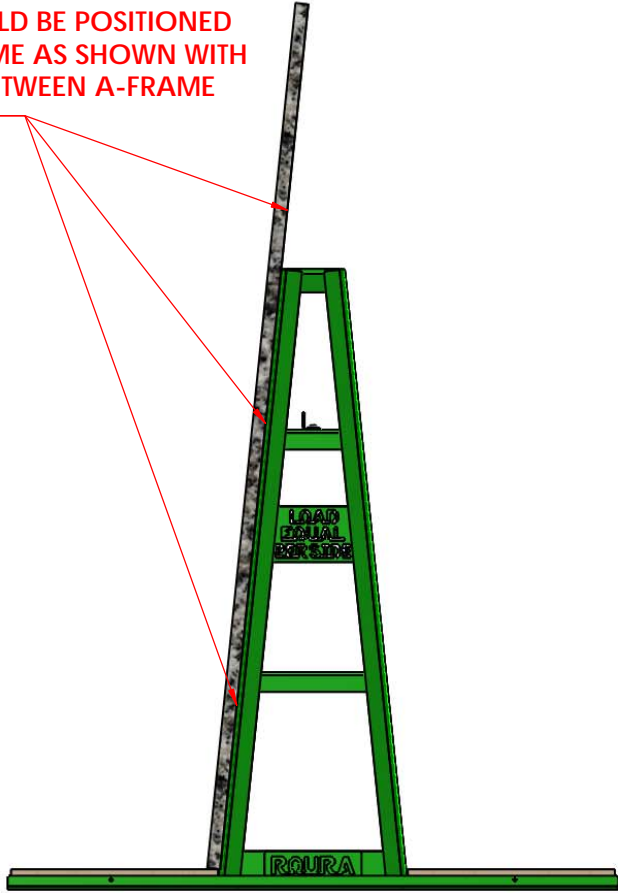
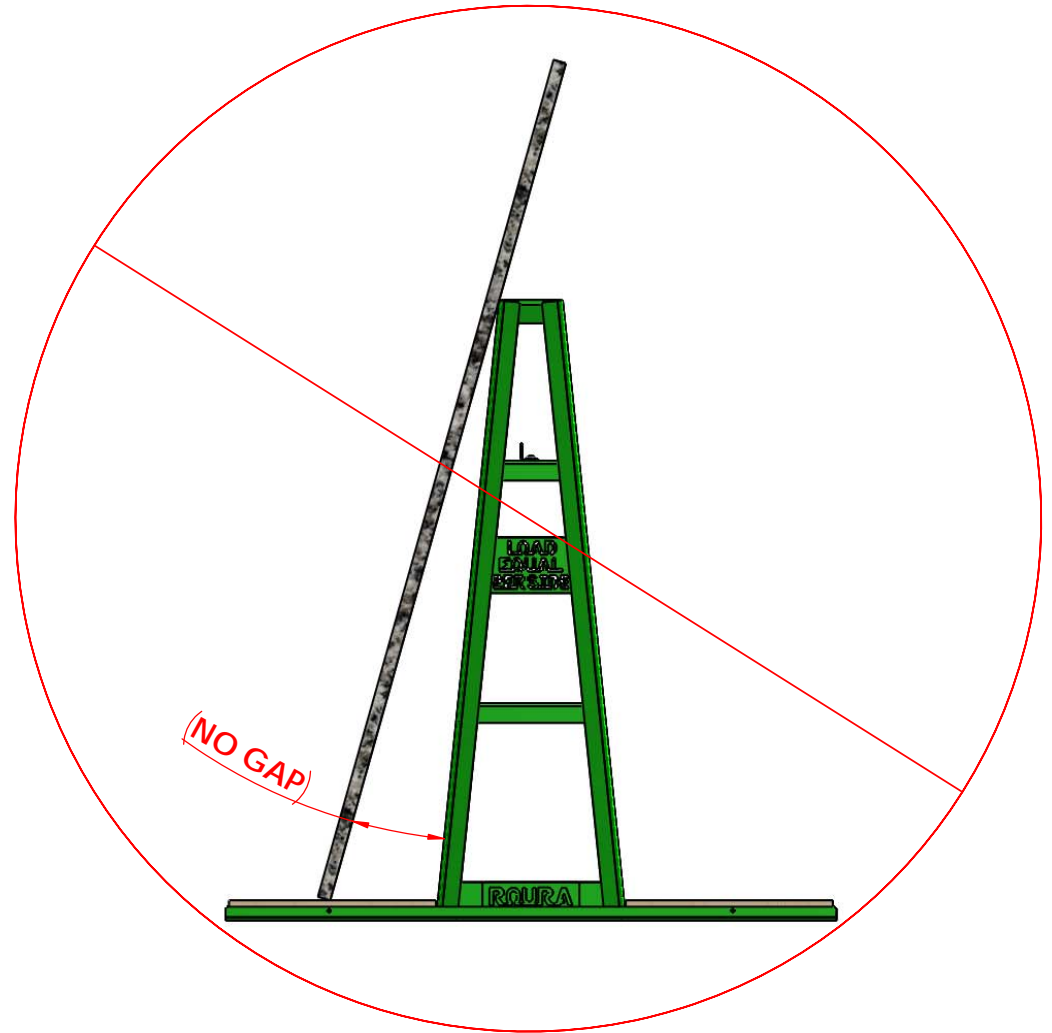


FIGURE #1



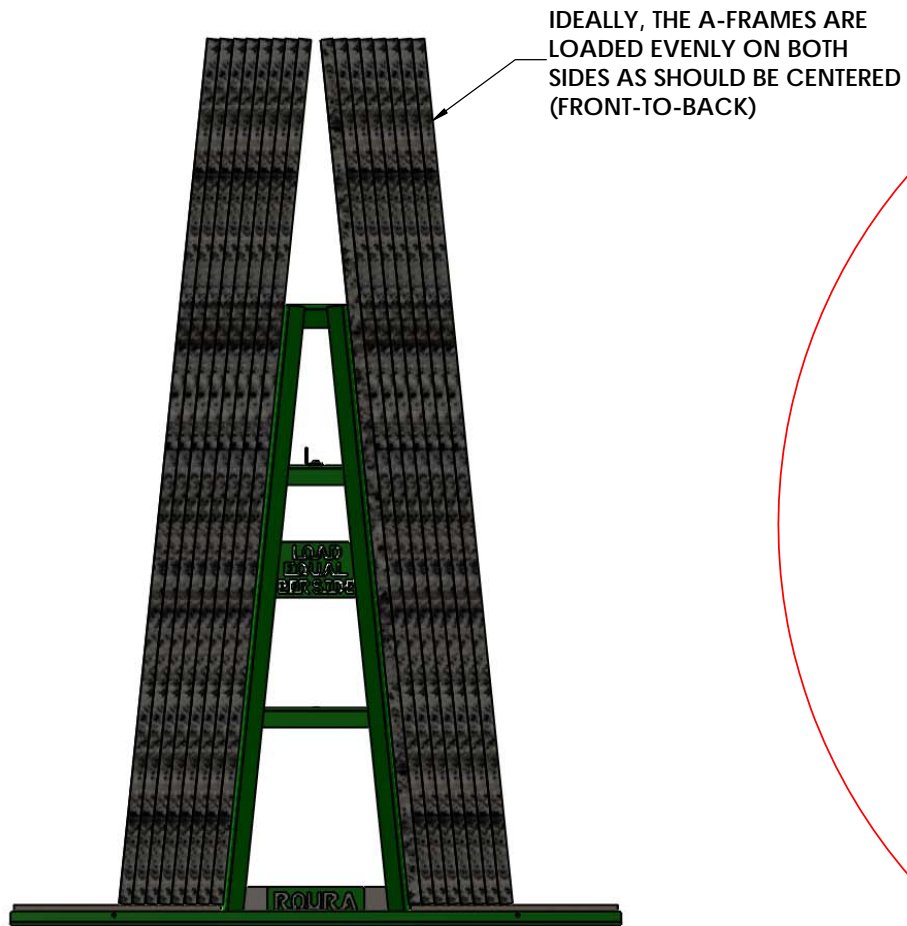


FIGURE #2

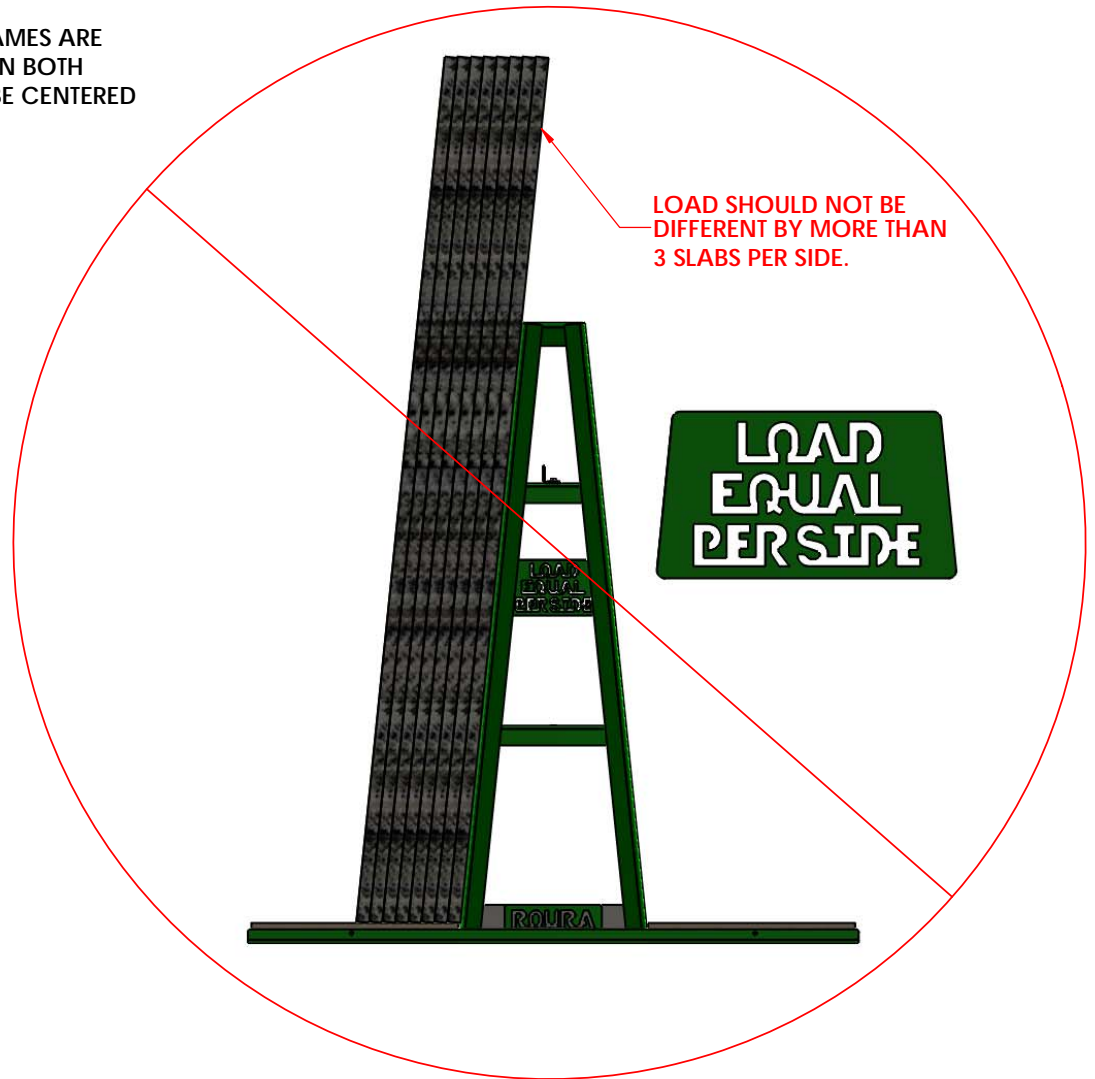
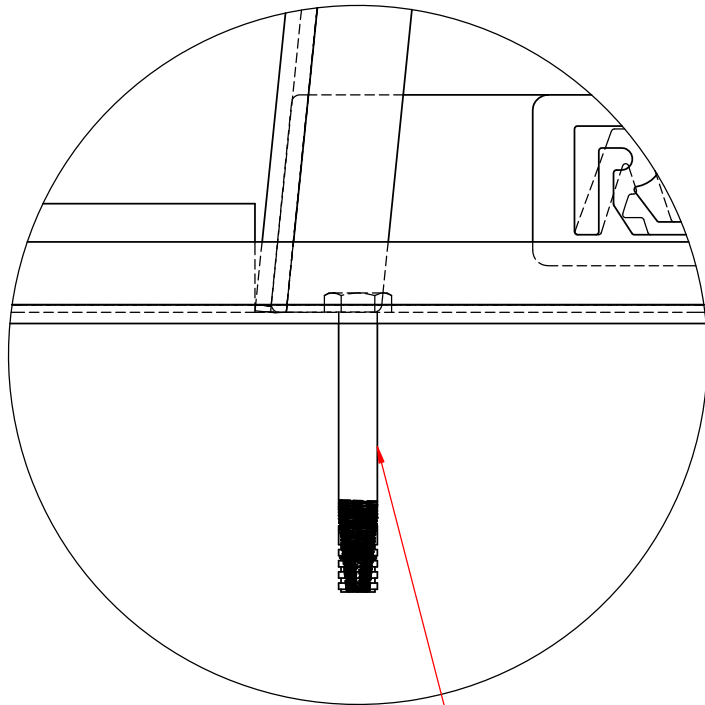
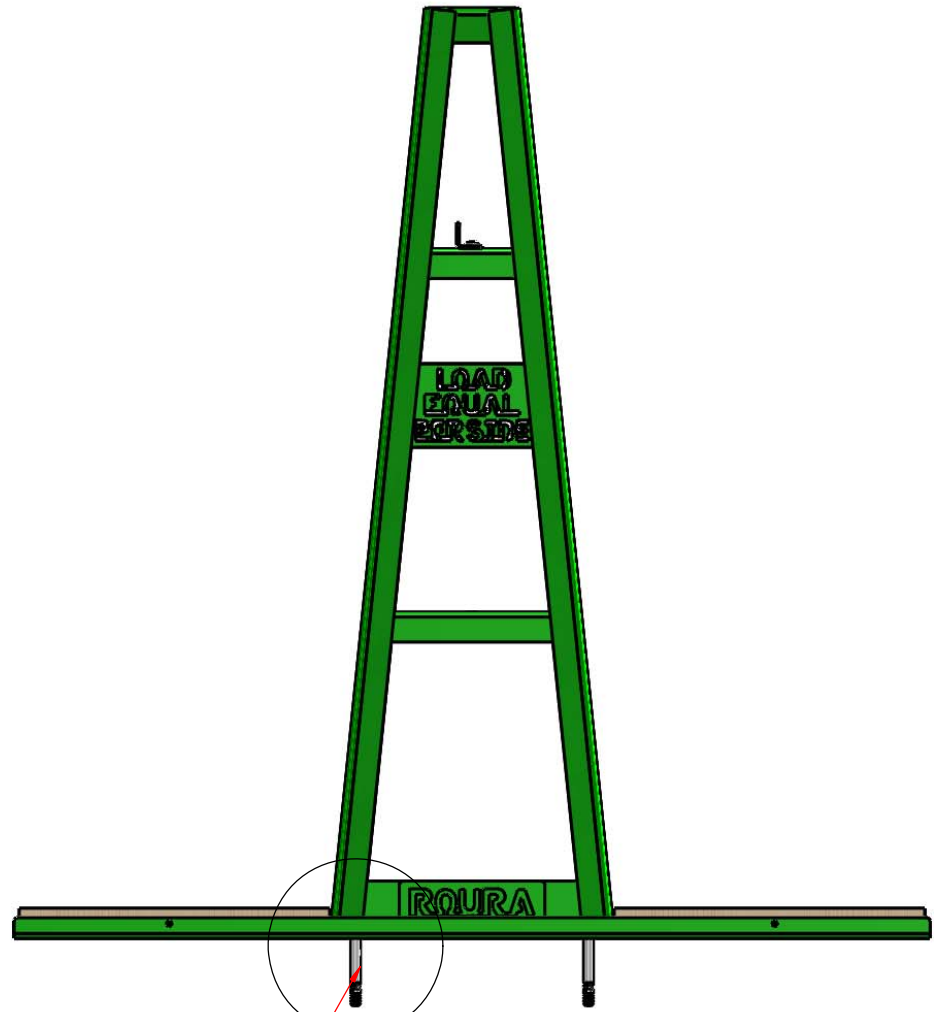


FIGURE #3



DETAIL B



**RECOMMENDED ANCHOR POINTS
(4) 5/8" HOLES PROVIDED
(ANCHOR BOLTS NOT INCLUDED)**

B