



**ROURA**  
MATERIAL HANDLING

Michigan: (800) 968-9070

Mississippi: (800) 654-9147

rouramh.com

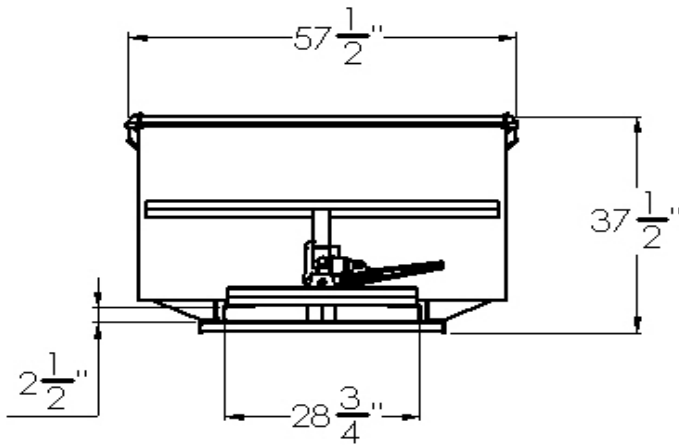
## DURABLE HOPPER MODEL

2T-10-405 1 ½ CU YD

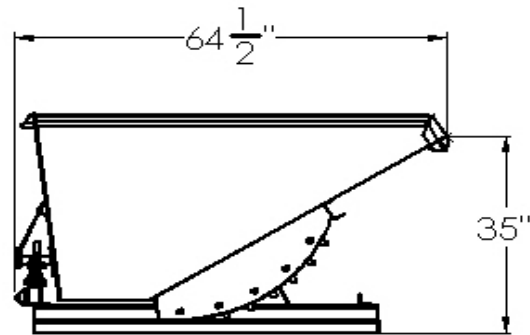


MODEL #	SIZE	L	W	H	LH	FORK OPENING	WEIGHT	CAPACITY
2T-10-405	1 ½ CU YD	64 ½"	57 ½"	37 ½"	35"	2 ½" X 28 ¾"	563 LBS	4000 LBS

## DURABLE 2T-10-405



BACK VIEW



SIDE VIEW

**CONSTRUCTION:** 10 gauge plate body and 3/16" formed plated base. Bodies are 100% continuous weld for superior construction. Ductile iron handle, standard stops and secure flip latch are standard on this model.

**FINISH:** Bright safety green enamel paint (other colors optional).

**OPTIONAL ITEMS ARE AVAILABLE**