



ROURA
MATERIAL HANDLING

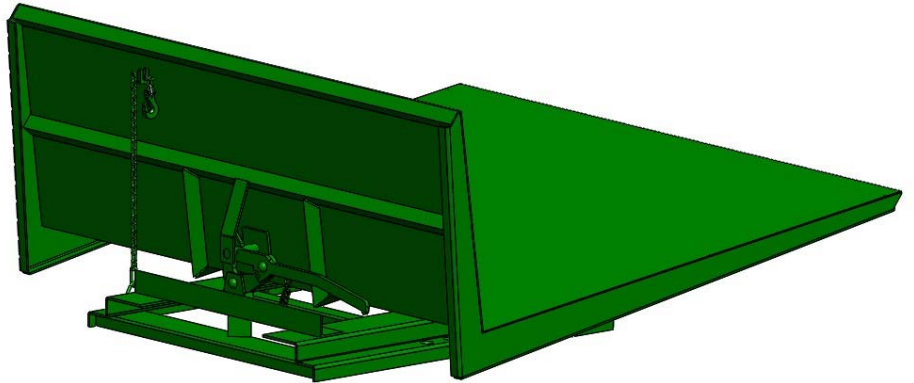
Michigan: (800) 968-9070

Mississippi: (800) 654-9147

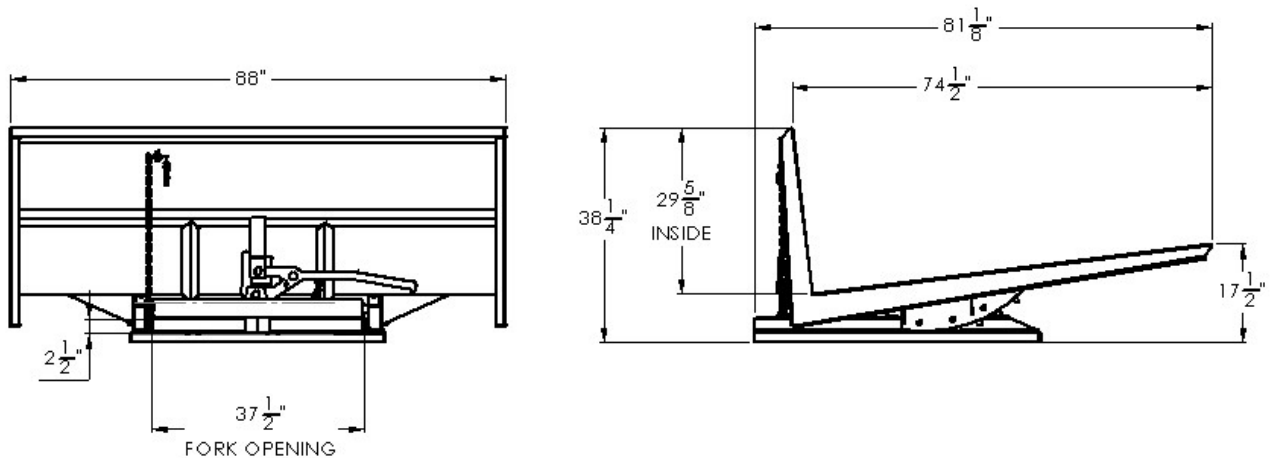
rouramh.com

SKELETON HOPPER MODEL

SKL-OS



| MODEL # | VOLUME | L | W | H | WEIGHT | FORK OPENING | MAX LOAD CAP |
|---------|--------|---------|-----|---------|---------|------------------|--------------|
| SKL-OS | OPEN | 81 1/8" | 88" | 38 1/4" | 980 LBS | 2 1/2" X 37 1/2" | 6000 LBS |



CONSTRUCTION: 7gauge plate body, reinforced with angle iron. 5/16" formed plate base. Auto latch handle, standard stops is standard on this model.

FINISH: Bright safety green enamel paint (other colors optional).

OPTIONAL ITEMS ARE AVAILABLE

"FOR ALL YOUR MATERIAL HANDLING NEEDS!"