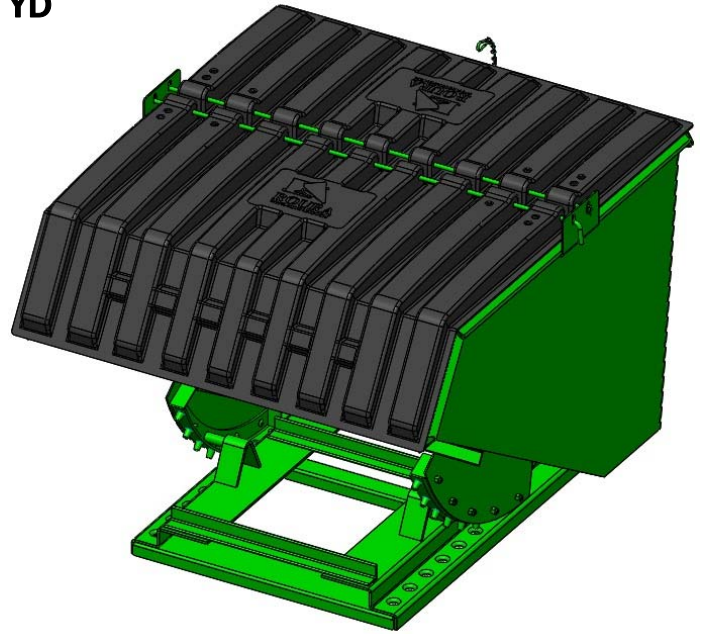


ROURA
MATERIAL HANDLING

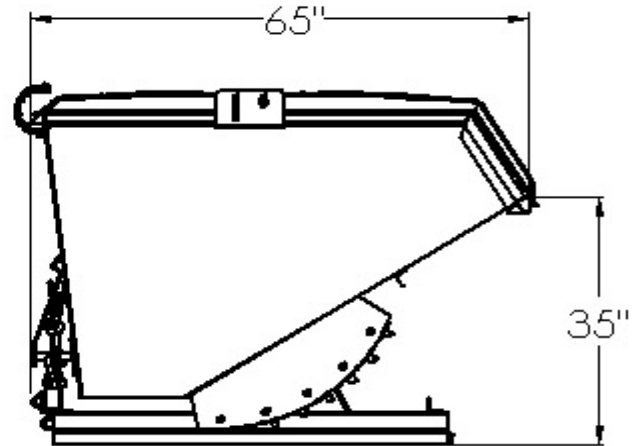
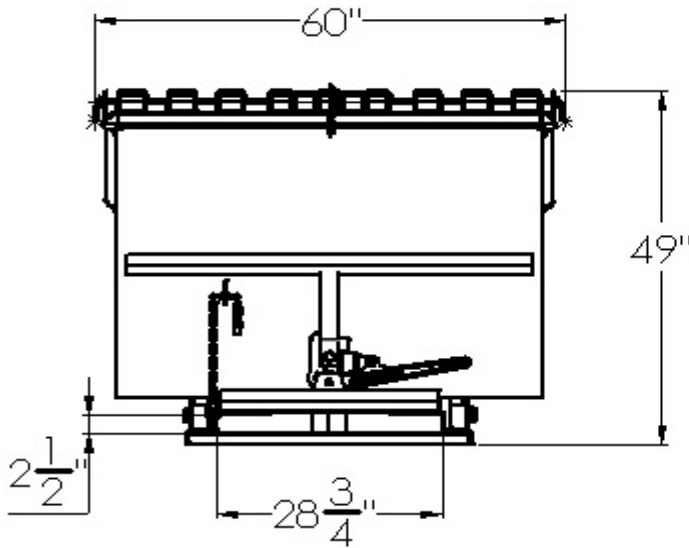


PLASTIC LID HOPPER MODEL

H-PLDA-540 2 CU YD



H-PLDA-540



| MODEL # | SIZE | L | W | H | LH | FORK OPENING | WEIGHT | CAPACITY |
|------------|---------|-----|-----|-----|-----|------------------|---------|-----------|
| H-PLDA-540 | 2 CU YD | 65" | 60" | 49" | 35" | 2 1/2" X 28 3/4" | 864 LBS | 6,000 LBS |

STANDARD ITEMS

- DUCTILE IRON HANDLE
- SECURE FLIP LATCH
- MAST SECURE CHAIN
- DURABLE SINGLE WALL POLY LID
- DRIP ANGLE FOR LIQUID COLLECTING
- SECURE LID CHAIN (FOR DUMPING PURPOSE)
- PAINTED ROURA GREEN (OPTIONAL COLORS ARE AVAILABLE)