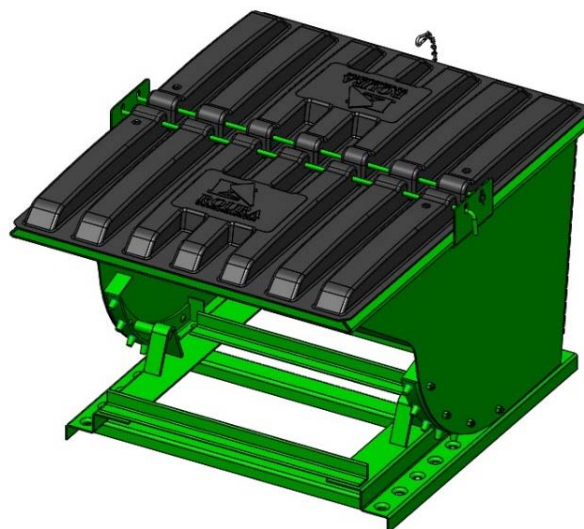


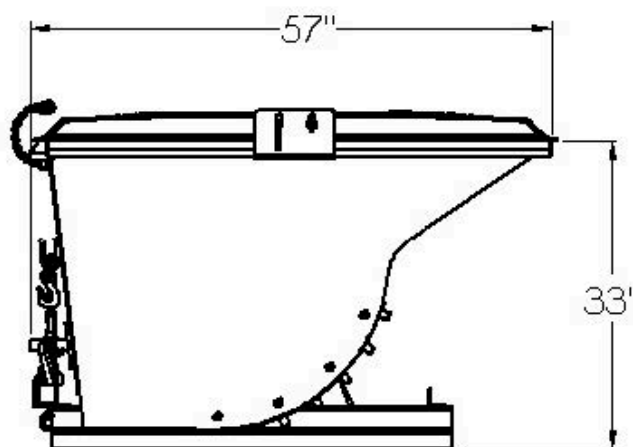
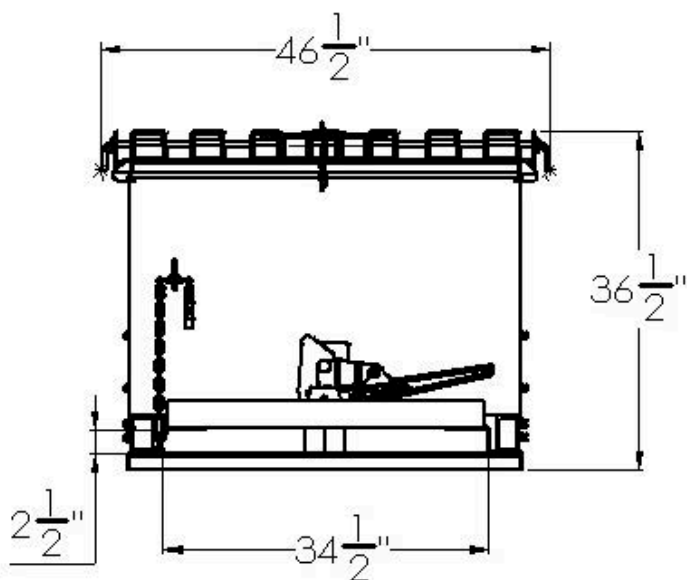


## PLASTIC LID HOPPER MODEL

H-PLDA-205 3/4 CU YD



H-PLDA-205



**THIS ITEM IS NON-RETURNABLE**

MODEL #	SIZE	L	W	H	LH	FORK OPENING	WEIGHT	CAPACITY
H-PLDA-205	3/4 CU YD	57"	46 1/2"	36 1/2"	33"	2 1/2" X 34 1/2"	547 LBS	6,000 LBS

### STANDARD ITEMS

- DUCTILE IRON HANDLE
- SECURE FLIP LATCH
- MAST SECURE CHAIN
- DURABLE SINGLE WALL POLY LID
- DRIP ANGLE FOR LIQUID COLLECTING
- SECURE LID CHAIN (FOR DUMPING PURPOSE)
- PAINTED ROURA GREEN (OPTIONAL COLORS ARE AVAILABLE)