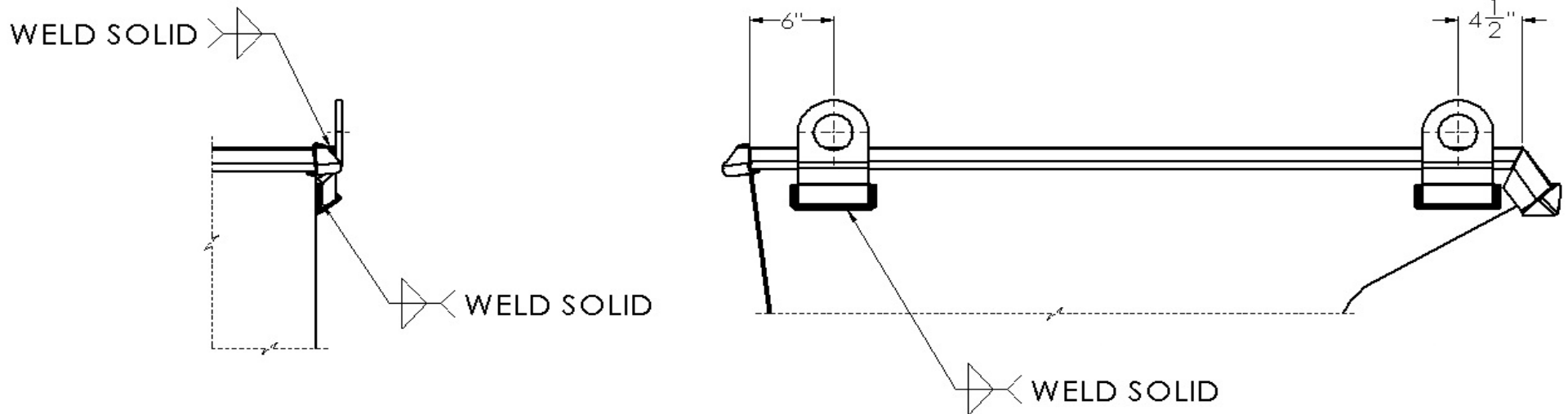


**ROURA**  
MATERIAL HANDLING

## CRANE EYE INSTALLATION INSTRUCTION.



### NOTES:

- 1.) CRANE EYE LIFTING LUG IS TO BE PLACED AS SHOWN, ALL WELDABLE SURFACES SHOULD BE WELDED SOLID.
- 2.) BASE TO BODY CHAINS (#CHAIN-30-SSC) TO BE INSTALLED WITH LIFTING LUGS.