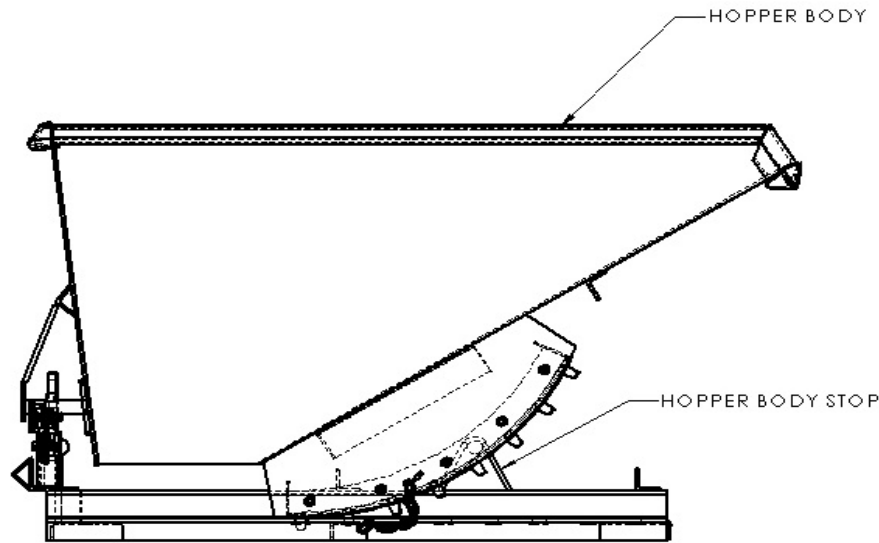
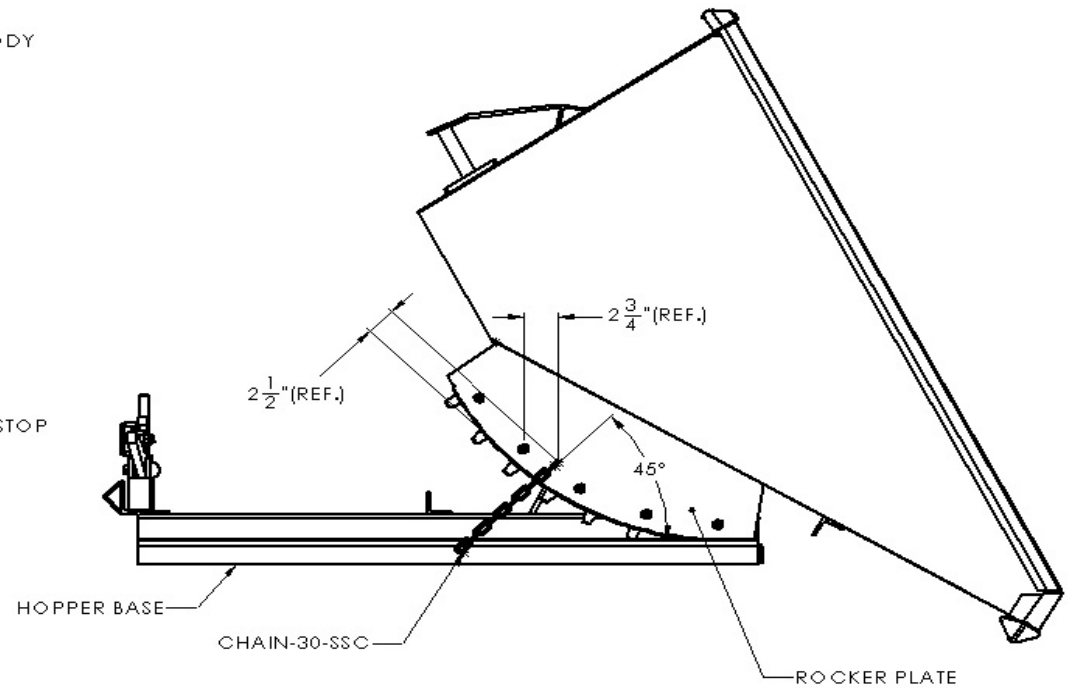


ROURA
MATERIAL HANDLING

BASE TO BODY CHAIN INSTALLATION.



FULLY DUMPED POSITION



NOTE:

WELD END CHAIN LINK ON ROCKER PLATE AS SHOWN,
WHEN HOPPER BODY IS IN FULL DUMP POSITION (HOPPER BODY AGAINST STOPS).
ANGLE CHAIN BACK TOWARDS HOPPER BASE AT A 45 DEG ANGLE.
HOLD CHAIN FULLY EXTENDED AGAINST BASE BEFORE WELDING END TO BASE.