



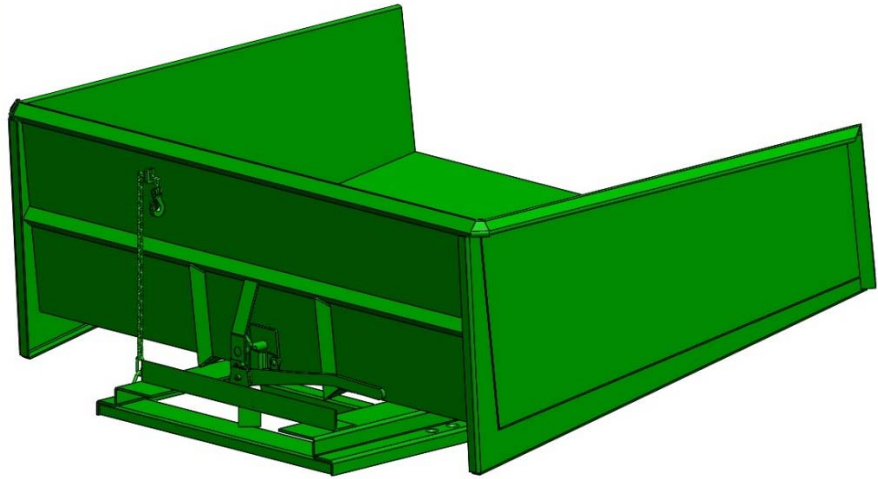
ROURA
MATERIAL HANDLING

Michigan: (800) 968-9070

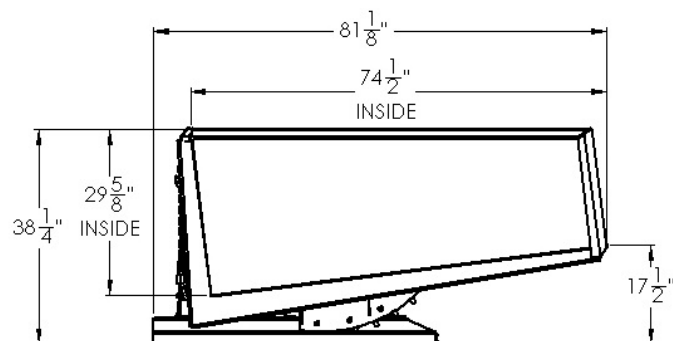
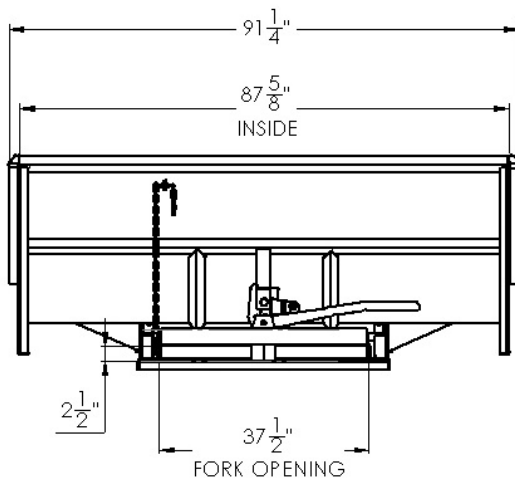
Mississippi: (800) 654-9147

rouramh.com

SKELETON HOPPER MODEL SKL-OS-WS



MODEL #	VOLUME	L	W	H	WEIGHT	FORK OPENING	MAX LOAD CAP
SKL-OS-WS	3 CU YD	81 1/8"	91 1/4"	38 1/4"	1200 LBS	2 1/2" X 37 1/2"	6000 LBS



CONSTRUCTION: 7gauge plate body, reinforced with angle iron. 5/16" formed plate base. Steel handle, standard stops and secure flip latch, mast secure chain is standard on this model.

FINISH: Bright safety green enamel paint (other colors optional).

OPTIONAL ITEMS ARE AVAILABLE

"FOR ALL YOUR MATERIAL HANDLING NEEDS!"