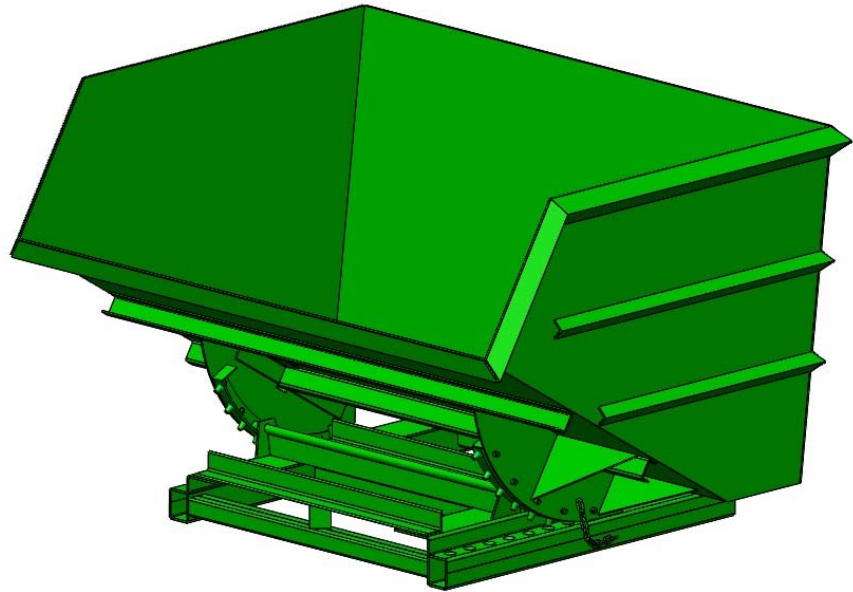


ROURA
MATERIAL HANDLING



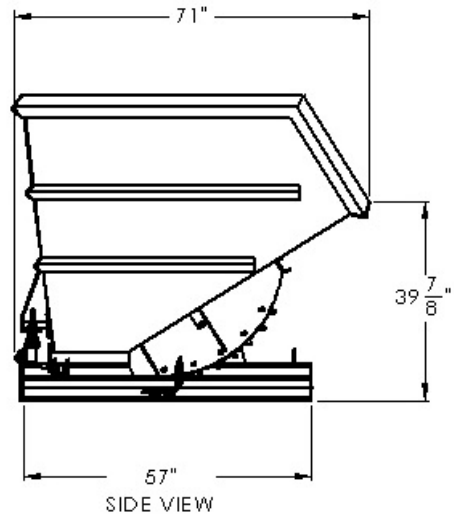
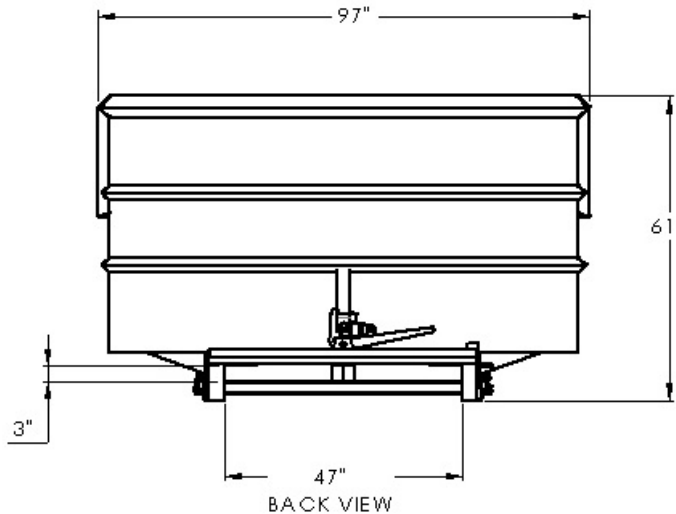
ULTIMATE HOPPER MODEL

5T-1/4-1500 5 CU YD



MODEL#	VOLUME	L	W	H	WEIGHT	FORK OPENING	MAX LOAD CAP
5T-1/4-1500	5 Yd ³	71"	97"	61"	2030 LBS	3" X 47"	10000 LBS

ULTIMATE 5T-1/4-1500



CONSTRUCTION:

1/4" plate body reinforced with two additional row of angle, with a box tube base . Base to body chains and a steel handle.