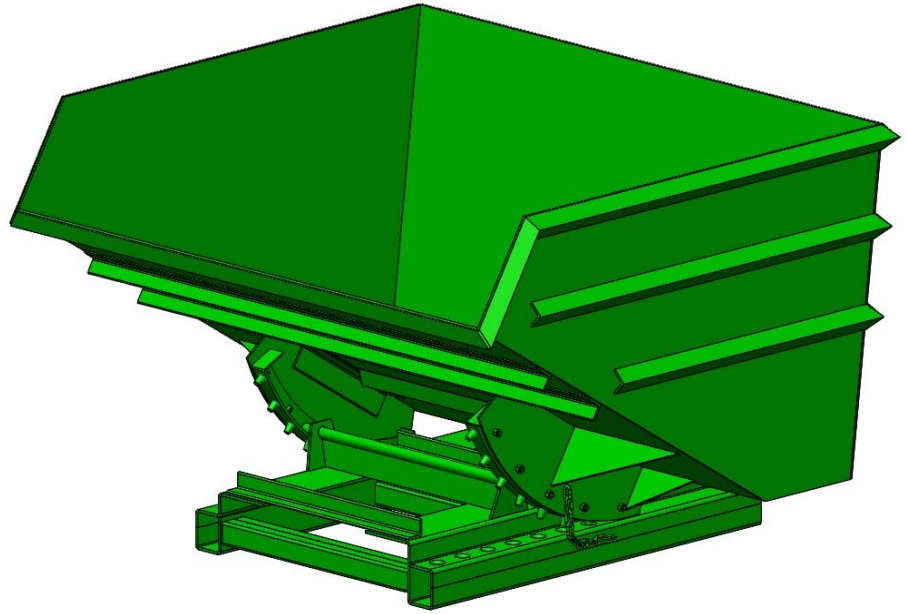


ROURA
MATERIAL HANDLING



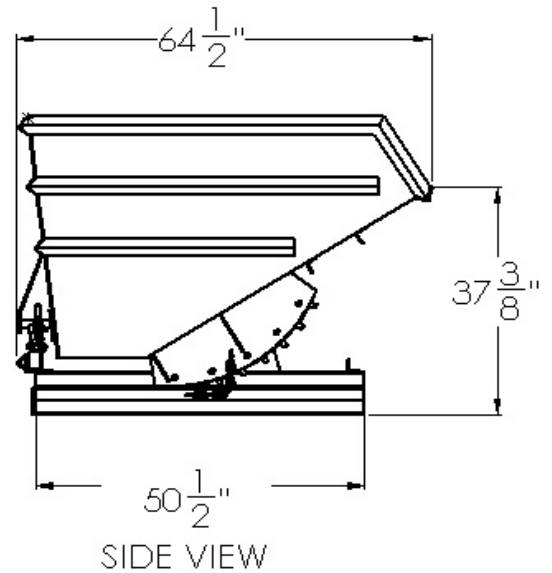
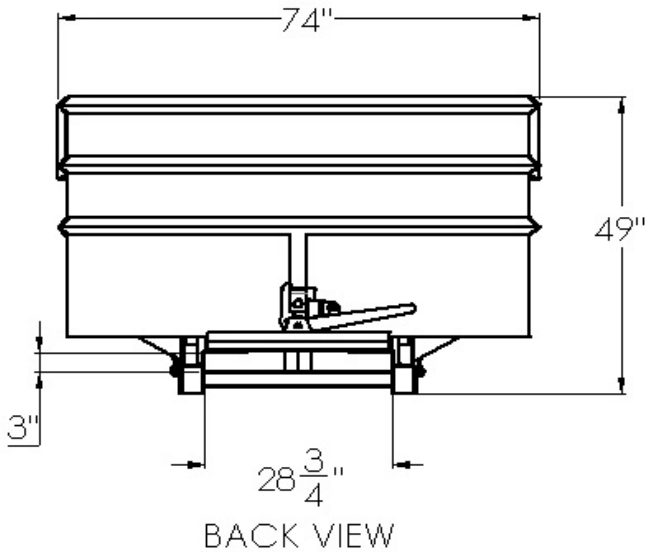
ULTIMATE HOPPER MODEL

4T-1/4-675 2 1/2 CU YD



MODEL#	VOLUME	L	W	H	WEIGHT	FORK OPENING	MAX LOAD CAP
4T-1/4-675	2 1/2 Yd ³	64 1/2"	74"	49"	1395 LBS	3" X 28-3/4"	8000 LBS

ULTIMATE 4T-1/4-675



CONSTRUCTION:

1/4" plate body reinforced with two additional row of angle, with a box tube base . Base to body chains and a steel handle.