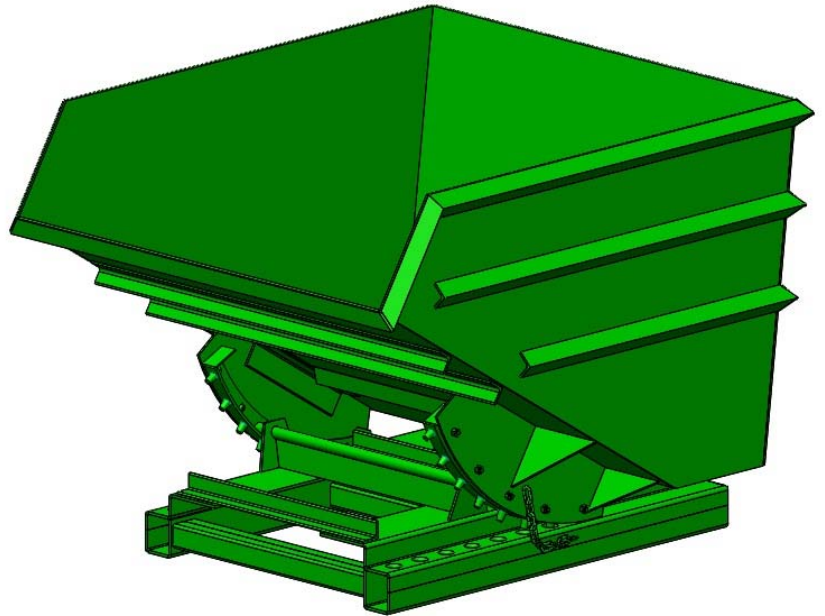


**ROURA**  
MATERIAL HANDLING

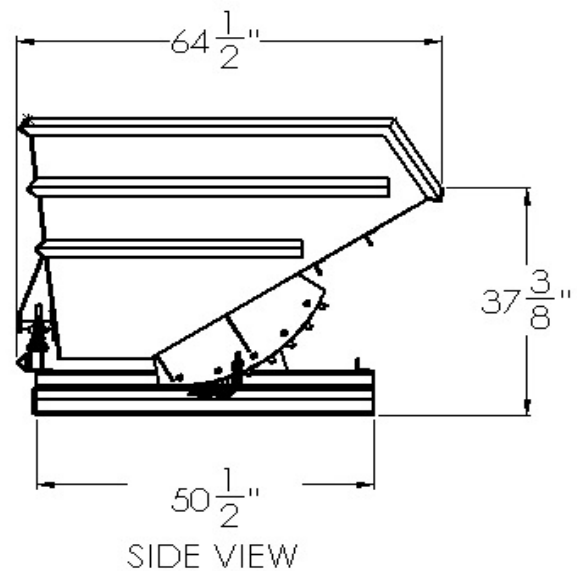
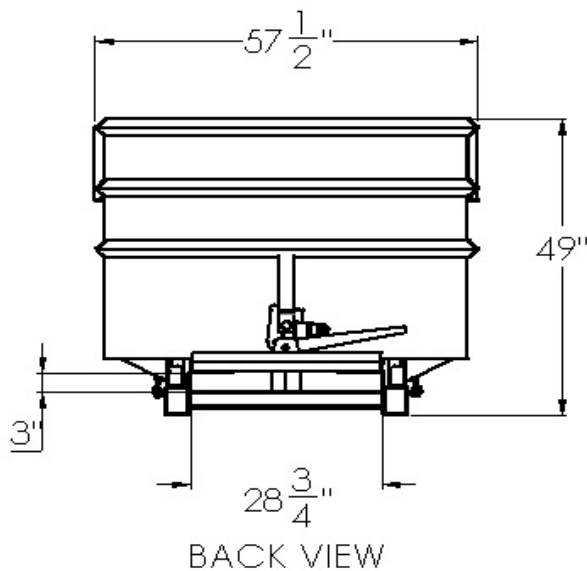
# ULTIMATE HOPPER MODEL

4T-1/4-540 2 CU YD



| MODEL#     | VOLUME            | L       | W       | H   | WEIGHT   | FORK OPENING | MAX LOAD CAP |
|------------|-------------------|---------|---------|-----|----------|--------------|--------------|
| 4T-1/4-540 | 2 Yd <sup>3</sup> | 64 1/2" | 57 1/2" | 49" | 1245 LBS | 3" X 28-3/4" | 8000 LBS     |

## ULTIMATE 4T-1/4-540



**CONSTRUCTION:**

**1/4" plate body reinforced with two additional row of angle, with a box tube base . Base to body chains and a steel handle.**