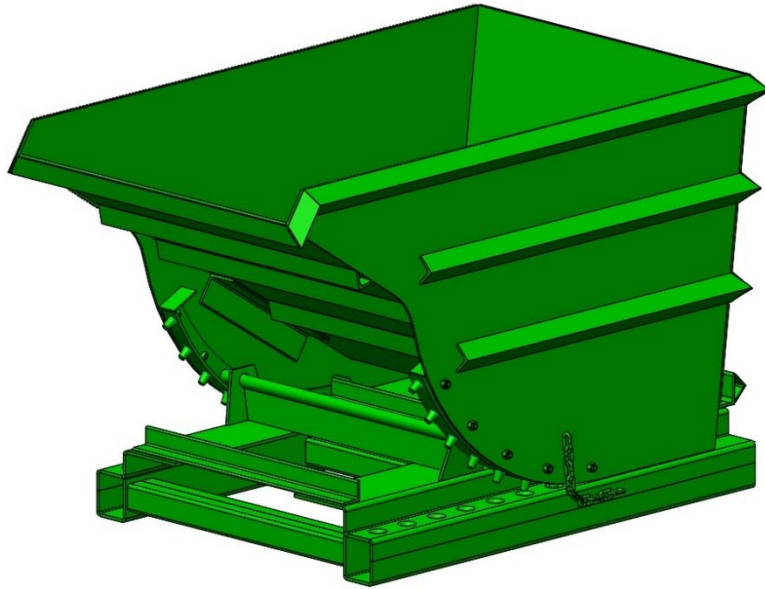


ROURA
MATERIAL HANDLING

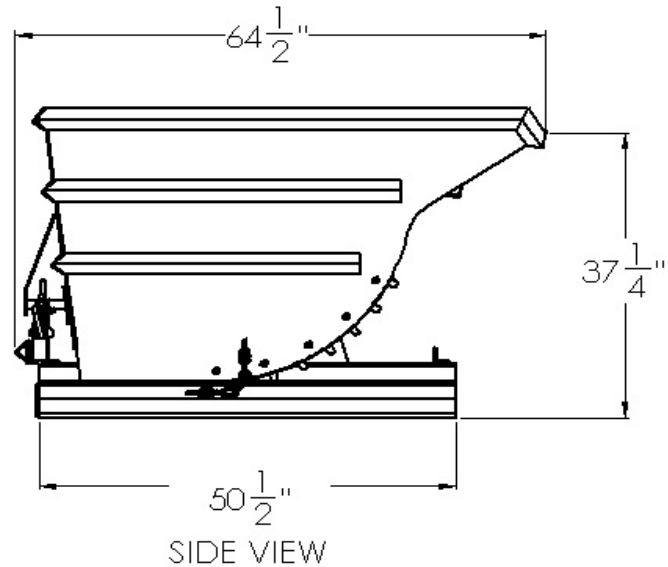
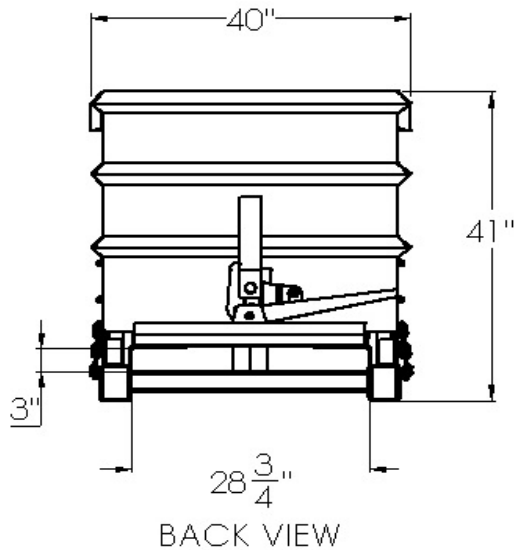
ULTIMATE HOPPER MODEL

4T-1/4-270 1 CU YD



MODEL#	VOLUME	L	W	H	WEIGHT	FORK OPENING	MAX LOAD CAP
4T-1/4-270	1 Yd ³	64 1/2"	40"	41"	990 LBS	3" X 28-3/4"	8000 LBS

ULTIMATE 4T-1/4-270



CONSTRUCTION:

1/4" plate body reinforced with two additional row of angle, with a box tube base . Base to body chains and a steel handle.