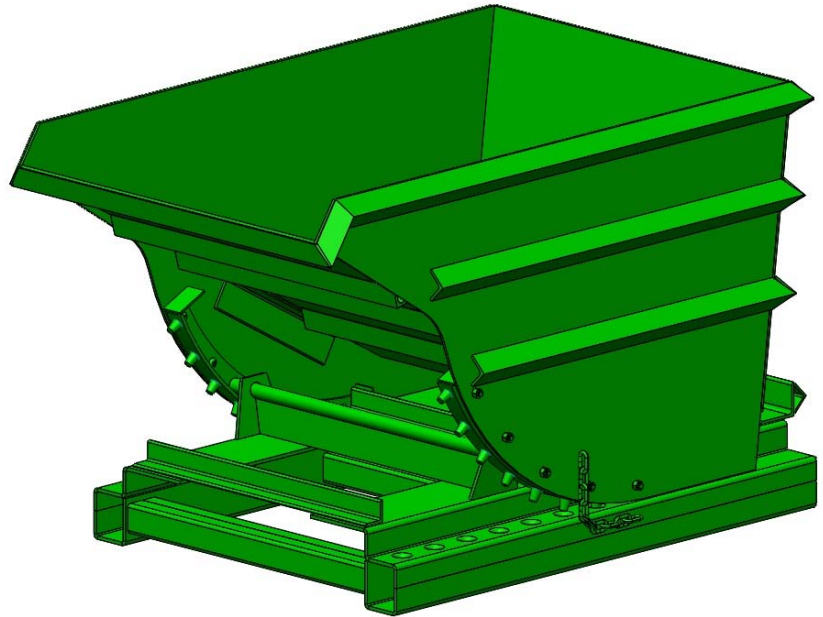


**ROURA**  
MATERIAL HANDLING



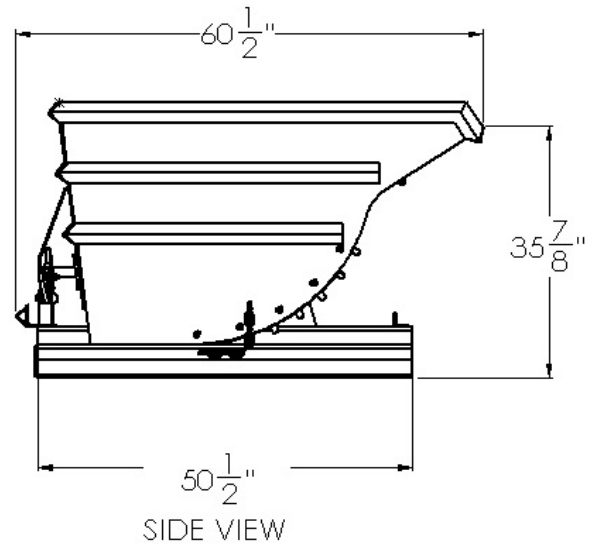
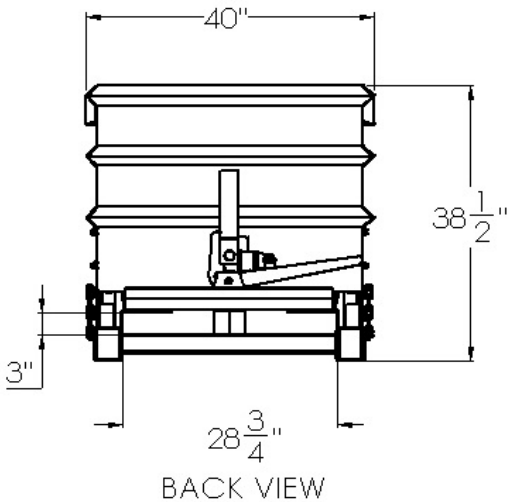
# ULTIMATE HOPPER MODEL

4T-1/4-205 3/4 CU YD



MODEL#	VOLUME	L	W	H	WEIGHT	FORK OPENING	MAX LOAD CAP
4T-1/4-205	3/4 Yd <sup>3</sup>	60 1/2"	40"	38 1/2"	935 LBS	3" X 28-3/4"	8000 LBS

## ULTIMATE 4T-1/4-205



**CONSTRUCTION:**

**1/4" plate body reinforced with two additional row of angle, with a box tube base . Base to body chains and a steel handle.**