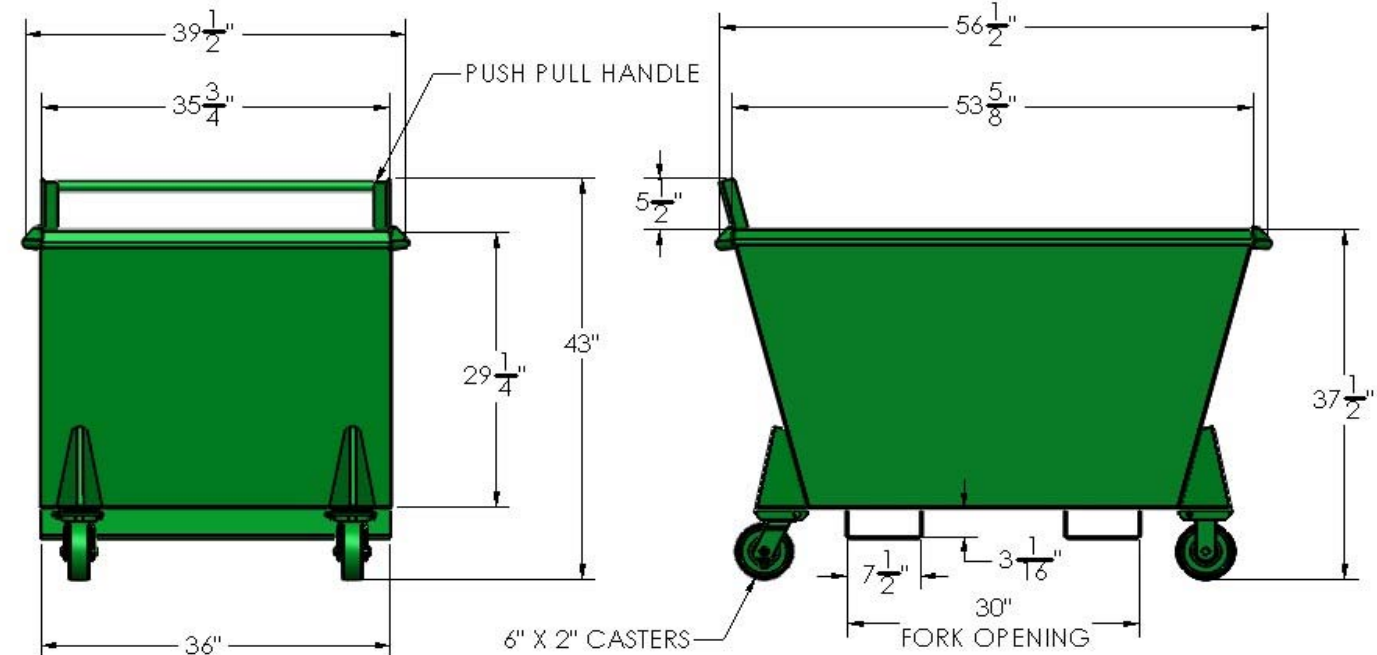


RTB-CT-270 (1 YARD CHIP TUB) 4000 LBS

MODEL #	L	W	H	WEIGHT
RTB-CT-270	56 1/2"	39 1/2"	43"	370 LBS

1 YARD VOLUME CAPACITY

The Chip Tub rotator is designed for the collection and storage of bulk and scrap material. This box can be dumped using a forklift equipped with a rotational fork attachment. The standard model is made of all welded carbon steel with drain plug and 2-way fork entry.



- 10 GAUGE STEEL BOTTOM WITH DRAIN AND PLUG, 10 GAUGE STEEL FORMED SIDES, 6" SEMI STEEL CASTERS. BOX TUBE FORK OPENINGS FOR SUPERIOR STRENGTH .
- 4000 LBS. MAX LOAD CAPACITY.
- BRIGHT SAFETY GREEN ENAMEL PAINT (OPTIONAL COLORS AVAILABLE).
- OPTIONAL SIZE & STYLE OF CASTER IS AVAILABLE.
- CUSTOM SIZES ARE AVAILABLE UPON REQUEST.
- THIS PRODUCT IS NON-RETURNABLE.

"FOR ALL YOUR MATERIAL HANDLING NEEDS!"



ROURA
MATERIAL HANDLING

Michigan: (800) 968-9070

Mississippi: (800) 654-9147

rouramh.com



**Made In
the U.S.A.**