

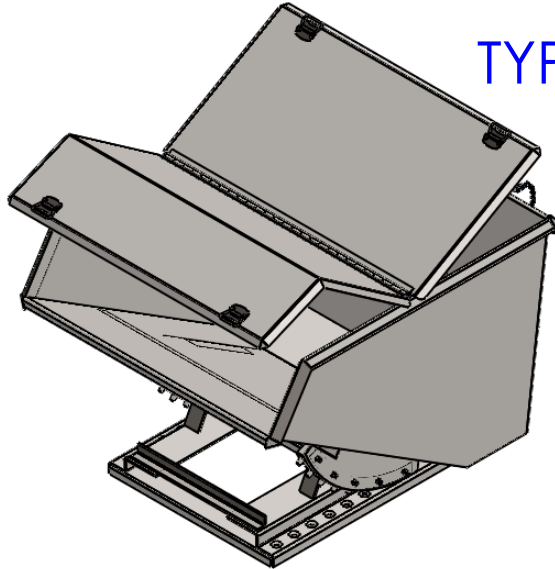
Roura Material Handling, Inc.

Clinton Twp. MI 48035
(800) 968-9070

Holly Springs, MS 38635
(800) 654-9147

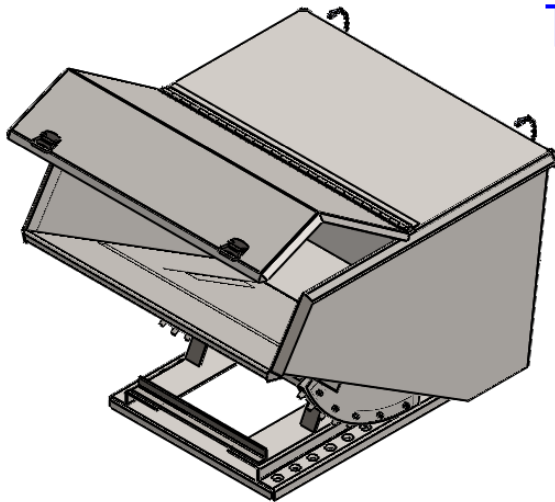
www.RouraMH.com

STEEL COVERS FOR HOPPERS



TYPE-A CENTER HINGED COVER
RECOMMENDED FOR
MODELS 105-675

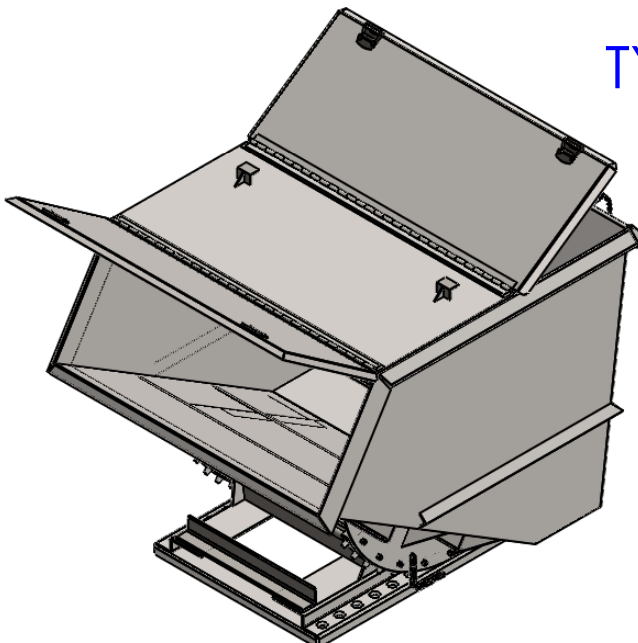
OPENING SECTIONS
MADE OF 14 GAUGE
HOT ROLLED STEEL



TYPE-B FIXED BACK COVER
RECOMMENDED FOR
MODELS 105-675

OPENING SECTION
MADE OF 14 GAUGE
HOT ROLLED STEEL

FIXED SECTION
MADE OF 12 GAUGE
HOT ROLLED STEEL



TYPE-D FIXED CENTER COVER
RECOMMENDED FOR
MODELS 680-1500

OPENING SECTIONS
MADE OF 14 GAUGE
HOT ROLLED STEEL

FIXED SECTION
MADE OF 12 GAUGE
HOT ROLLED STEEL