



ROURA
MATERIAL HANDLING

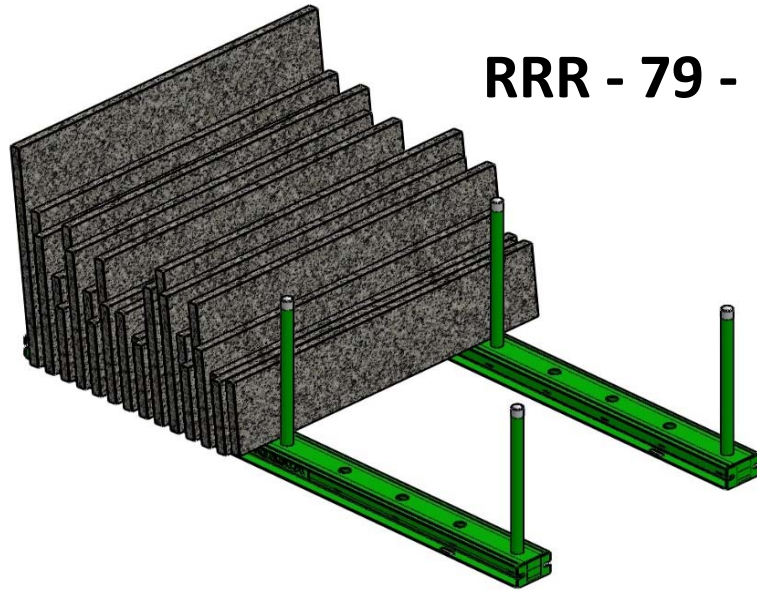
Michigan: (800) 968-9070

Mississippi: (800) 654-9147

rouramh.com

REMNANT RACK - ULTIMATE

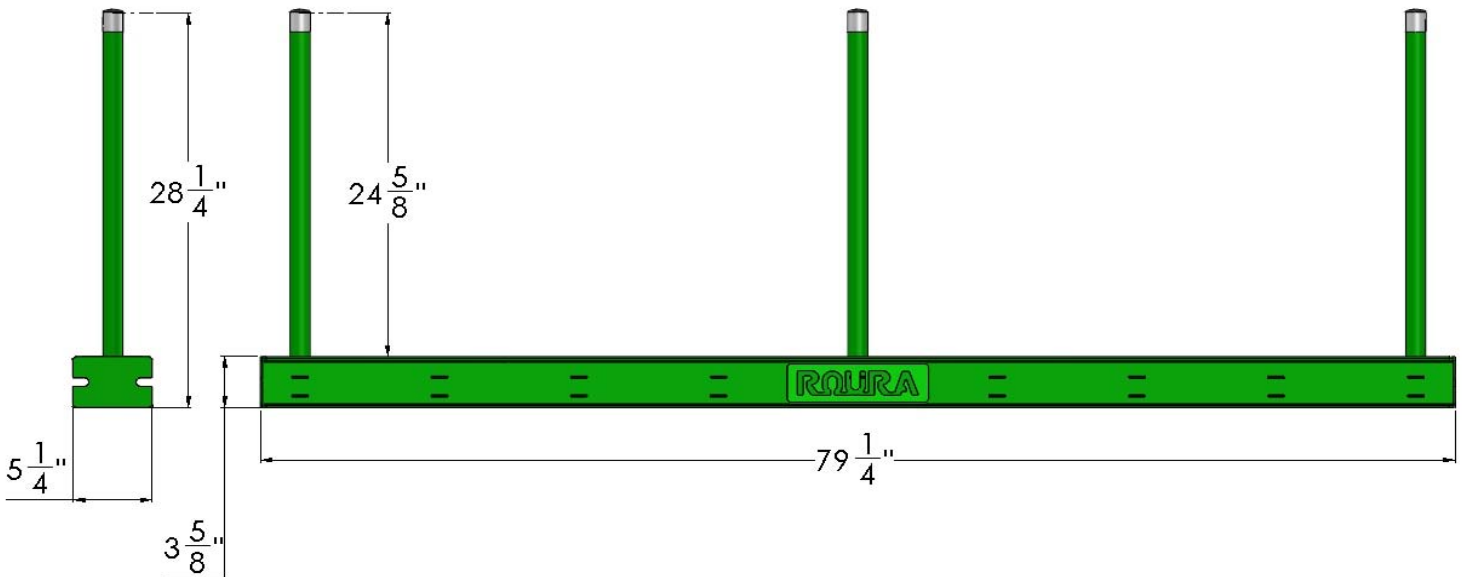
RRR - 79 - ULT



**Made In
the U.S.A.**

RRR - 79 - ULT (ULTIMATE REMNANT RACK)

MODEL #	L	W	H	WEIGHT
RRR -79 ULT	79 1/4"	5 1/4"	28 1/4"	197 LBS



- THE REMNANT RACK IS DESIGNED TO HANDLE AND STORE SMALLER CUT FINISHED PIECES.
- THIS STONE STORAGE RACK WILL HOLD 1,400 LBS PER POST(2,800 BETWEEN EACH SET OF POSTS).
- EACH SET HAS (2) 5 1/4" WIDE BASE RAILS WITH LOCKING CLEATS (FOR FASTENING TO FLOOR).
- EACH SET HAS (6) Ø 1 5/16" SOLID STRUCTURAL POSTS.
- EACH SET HAS (6) PROTECTIVE WHITE CAPS FOR SCRATCH PREVENTION.
- REMNANT STORAGE RACKS CAN BE BOLTED TOGETHER FOR MANY DIFFERENT REQUIRED LENGTHS.
- INDUSTRIAL ENAMEL GREEN PAINT FOR WEATHER PROTECTION.

"FOR ALL YOUR MATERIAL HANDLING NEEDS!"