



**ROURA**  
MATERIAL HANDLING

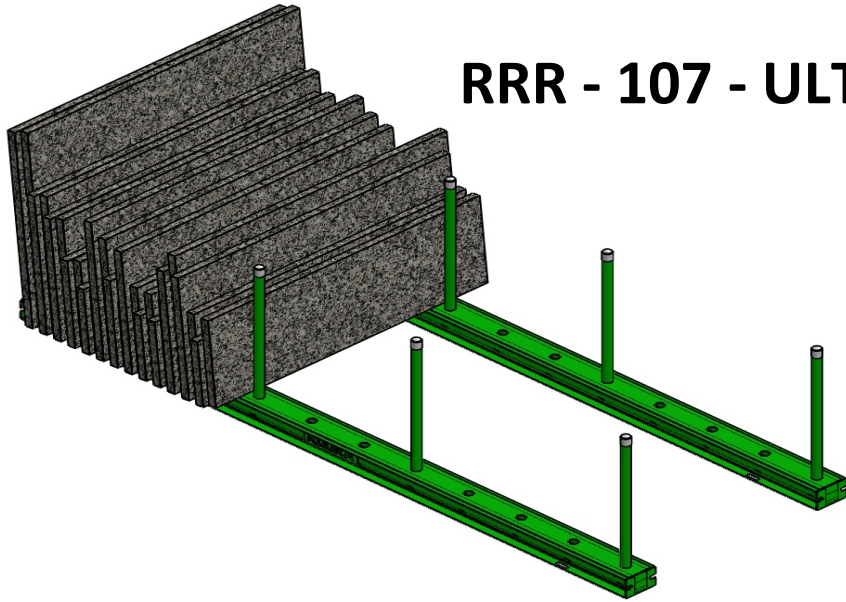
Michigan: (800) 968-9070

Mississippi: (800) 654-9147

[rouramh.com](http://rouramh.com)

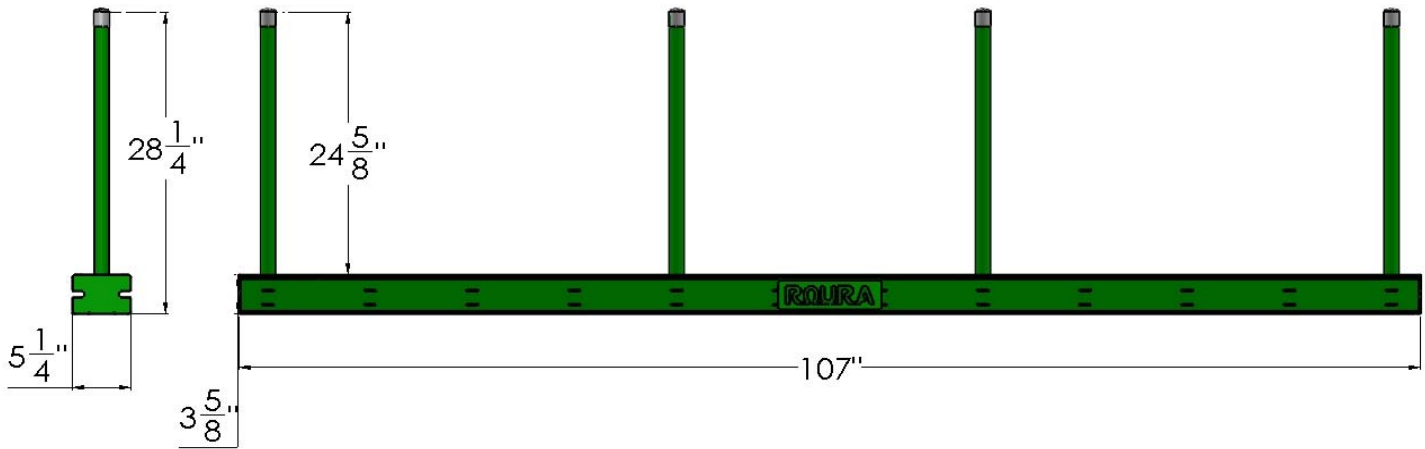
# REMNANT RACK - ULTIMATE

**RRR - 107 - ULT**



## RRR - 107 - ULT (ULTIMATE REMNANT RACK)

MODEL #	L	W	H	WEIGHT
RRR-107-ULT	107"	5 1/4"	28 1/4"	266 LBS



- THE REMNANT RACK IS DESIGNED TO HANDLE AND STORE SMALLER CUT FINISHED PIECES.
- THIS STONE STORAGE RACK WILL HOLD 1,400 LBS PER POST(2,800 LBS BETWEEN EACH SET OF POSTS).
- EACH SET HAS (2) 5 1/4" WIDE BASE RAILS WITH LOCKING CLEATS (FOR FASTENING TO FLOOR).
- EACH SET HAS (8) Ø 1 5/16" SOLID STRUCTURAL POSTS.
- EACH SET HAS (8) PROTECTIVE WHITE CAPS FOR SCRATCH PREVENTION.
- REMNANT STORAGE RACKS CAN BE BOLTED TOGETHER FOR MANY DIFFERENT REQUIRED LENGTHS.
- INDUSTRIAL ENAMEL GREEN PAINT FOR WEATHER PROTECTION.

**"FOR ALL YOUR MATERIAL HANDLING NEEDS!"**