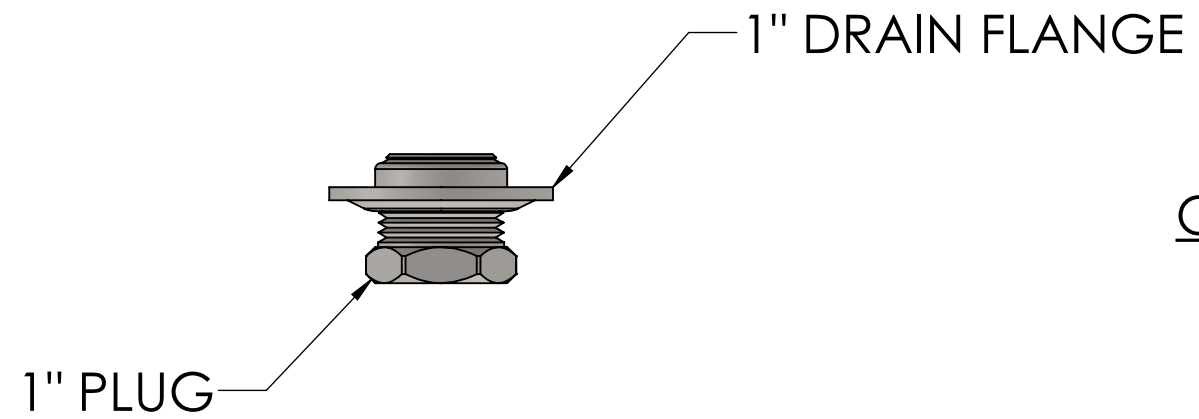
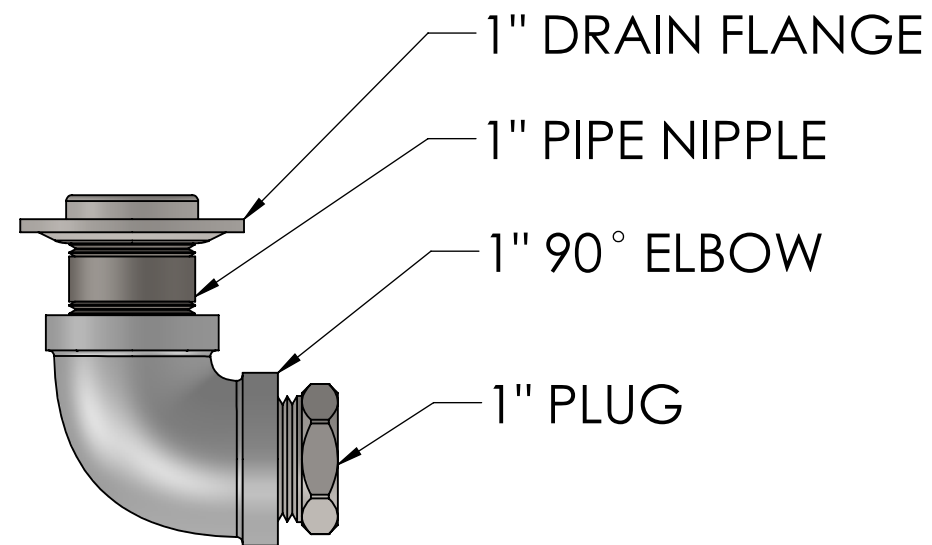


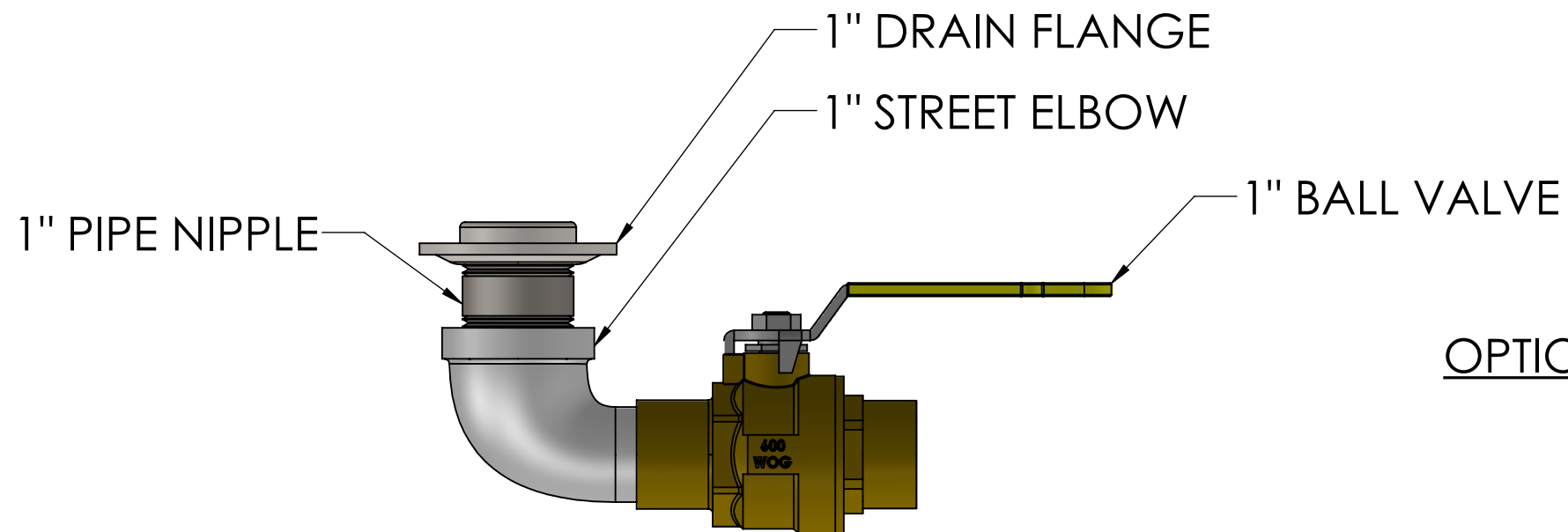
ROURA HOPPER DRAIN OPTIONS



OPTION #1- ^{1"} #DRAIN-1D-ASM ^{1.5"} #DRAIN-1.5D-ASM ^{2"} #DRAIN-2D-ASM



OPTION #2- #DRAIN-1D-ELB-ASM



OPTION #3- #DRAIN-1D-BV-ASM