



**ROURA**  
MATERIAL HANDLING

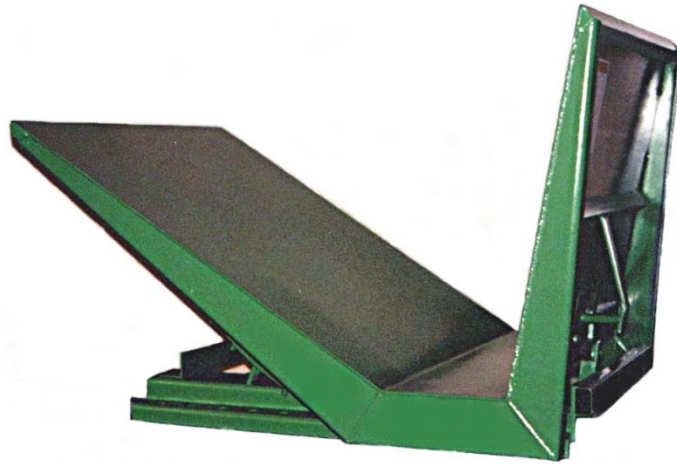
Michigan: (800) 968-9070

Mississippi: (800) 654-9147

rouramh.com

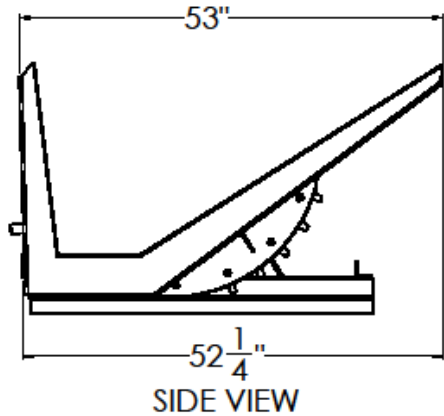
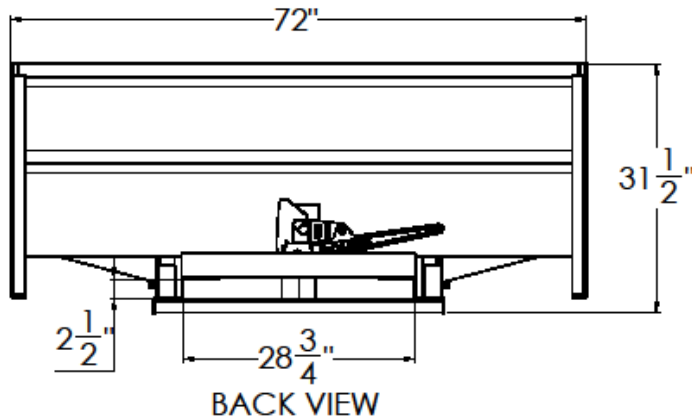
## OPEN SIDE HOPPER MODEL

OS-24



MODEL #	VOLUME	L	W	H	WEIGHT	FORK OPENING	MAX LOAD CAP
OS-24	OPEN	53"	72"	31 1/2"	640 LBS	2 1/2" X 29 1/2"	4000 LBS

### OPEN SIDE: H-OS-24



**CONSTRUCTION:** 7 gauge plate body, reinforced around the top with angle iron. 1/4" formed plate base. Ductile iron handle, standard stops and secure flip latch are standard on this model.

**FINISH:** Bright safety green enamel paint (other colors optional).

OPTIONAL ITEMS ARE AVAILABLE

"FOR ALL YOUR MATERIAL HANDLING NEEDS!"