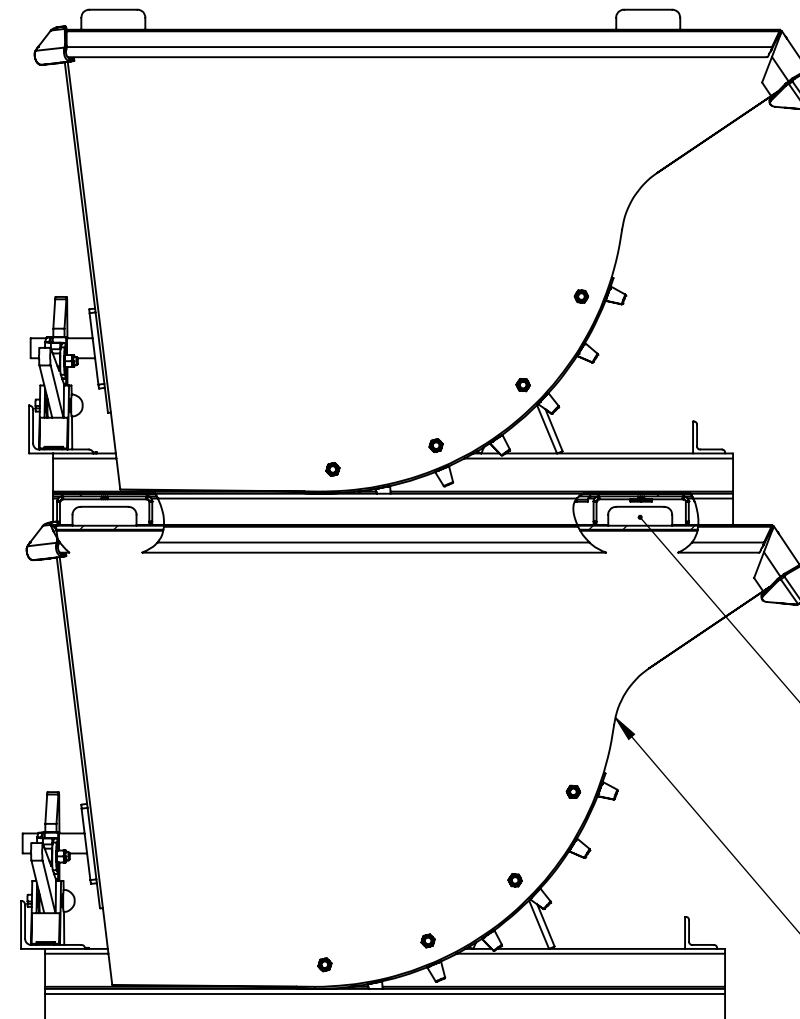
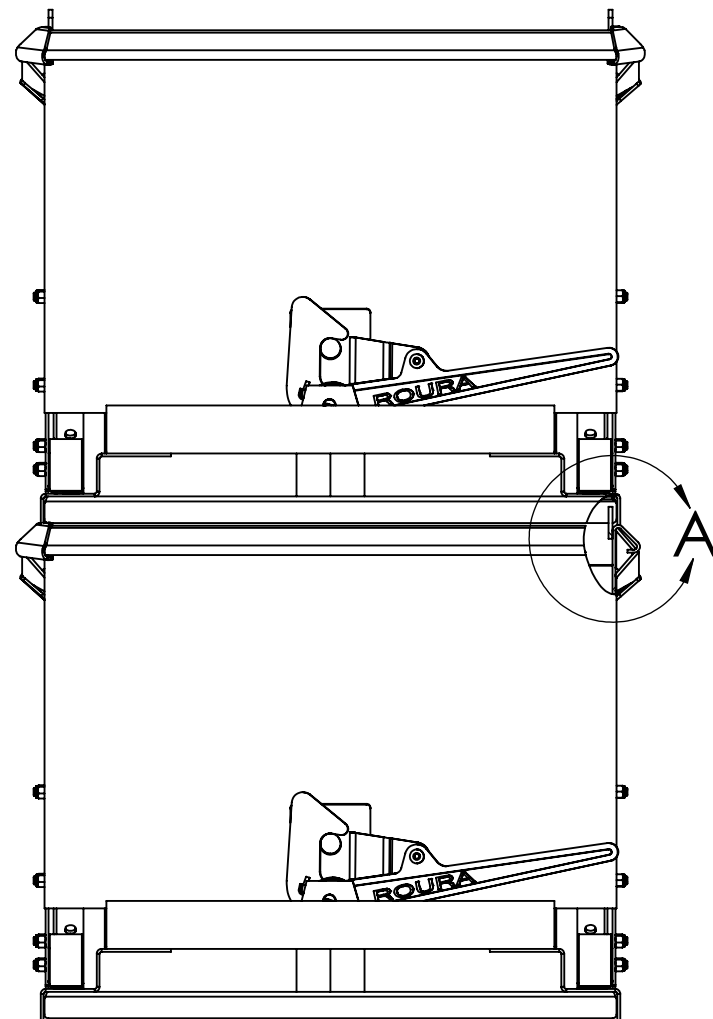
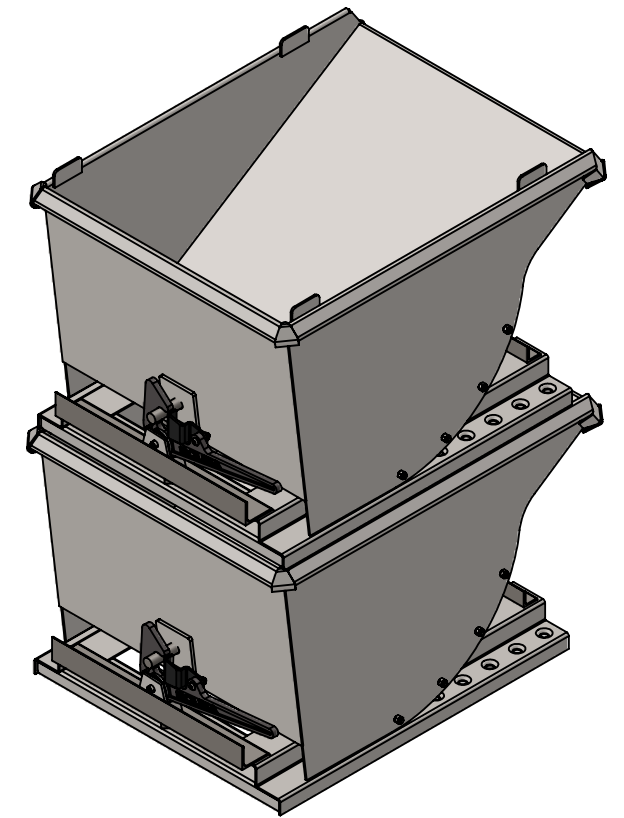


DETAIL A



STACKING FEATURE  
PART# SF-A.25  
QTY-(4)

STRAIGHT SIDE HOPPER ONLY

NOTES:

- 1.) STACKING FEATURE ADDS APPROX. 1-1/4" TO THE OVER ALL HEIGHT OF THE HOPPER.
- 2.) HOPPERS WITH STACKING FEATURES - MUST BE EMPTY AND STACKED NO MORE THAN 3 HIGH.

STACKING FEATURE - ABOVE  
SF-A-ASSM-CD