



ROURA
MATERIAL HANDLING

Michigan: (800) 968-9070

Mississippi: (800) 654-9147

rouramh.com

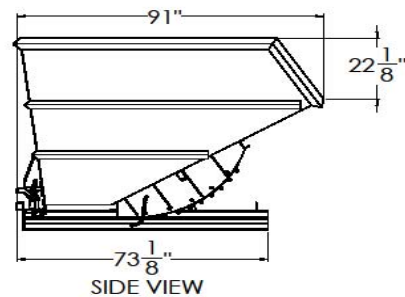
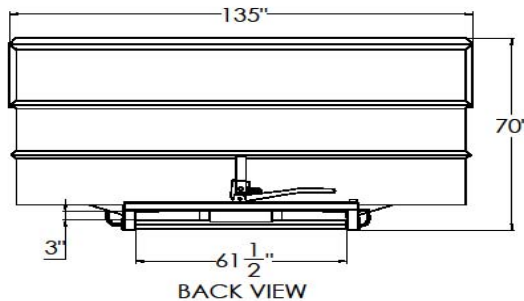
BEHEMOTH HOPPER MODEL

5T-1/4-EL-2700 10 CU YD



MODEL#	VOLUME	L	W	H	WEIGHT	FORK OPENING	MAX LOAD CAP
5T-1/4-EL-2700	10 Yd ³	91"	135"	70"	2900 LBS	3" X 61-1/2"	10000 LBS

BEHEMOTH 5T-1/4-EL-2700



CONSTRUCTION: : 1/4" bottom plate & 7 gauge back and side for a superior strength body, reinforced with 3 additional rows of reinforcing angle, 5/16" heavy duty boxed tube base, extended Auto-Latch handle, base to body chains, slide bolt latch and continuous stops.

FINISH: Bright safety green enamel paint.

(STEEL COVER & CASTERS ARE NOT AVAILABLE ON ANY BEHEMOTH HOPPER MODELS)