



ROURA
MATERIAL HANDLING

Michigan: (800) 968-9070

Mississippi: (800) 654-9147

rouramh.com

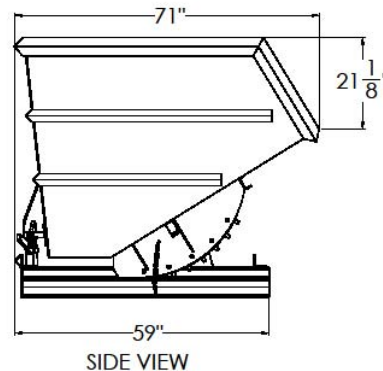
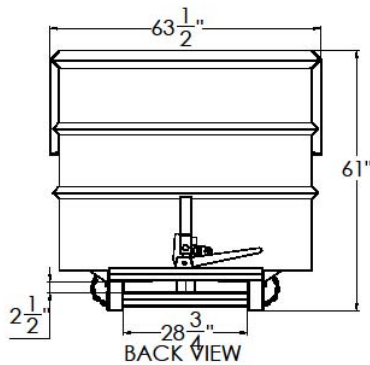
ULTIMATE HOPPER MODEL

5T-1/4-810 3 CU YD



MODEL#	VOLUME	L	W	H	WEIGHT	FORK OPENING	MAX LOAD CAP
5T-1/4-810	3 Yd ³	71"	63-1/2"	61"	1542 LBS	2-1/2" X 28-3/4"	10000 LBS

ULTIMATE 5T-1/4-810



CONSTRUCTION: 1/4" plate body, reinforced with 2 additional rows of reinforcing angle, 5/16" heavy duty boxed tube base, steel handle with secure flip latch, base to body chains, slide bolt latch and continuous stops.

FINISH: Bright safety green enamel paint.

OPTIONAL ITEMS ARE AVAILABLE

"FOR ALL YOUR MATERIAL HANDLING NEEDS!"