



ROURA
MATERIAL HANDLING

Michigan: (800) 968-9070

Mississippi: (800) 654-9147

rouramh.com

ULTIMATE HOPPER MODEL

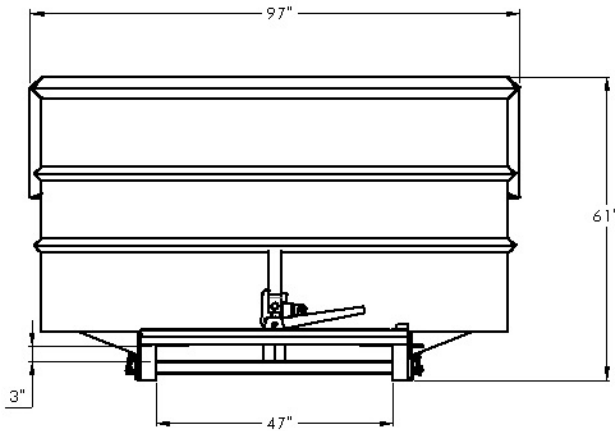
5T-1/4-1500

5 CU YD

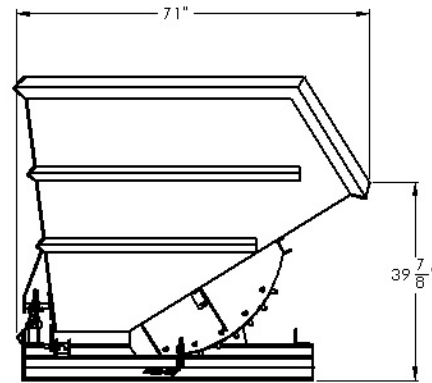


MODEL #	VOLUME	L	W	H	WEIGHT	FORK OPENING	MAX LOAD CAP
5T-1/4-1500	5 CU YD	71"	97"	61"	2035 LBS	3" X 47"	10,000 LBS

ULTIMATE 5T-1/4-1500



BACK VIEW



SIDE VIEW

CONSTRUCTION: 1/4" plate body, reinforced with 2 additional rows of reinforcing angle, 5/16" heavy duty boxed tube base, steel handle with secure flip latch, base to body chains, slide bolt latch and continuous stops.

FINISH: Bright safety green enamel paint (other colors optional).

OPTIONAL ITEMS ARE AVAILABLE