



ROURA
MATERIAL HANDLING

Michigan: (800) 968-9070

Mississippi: (800) 654-9147

rouramh.com

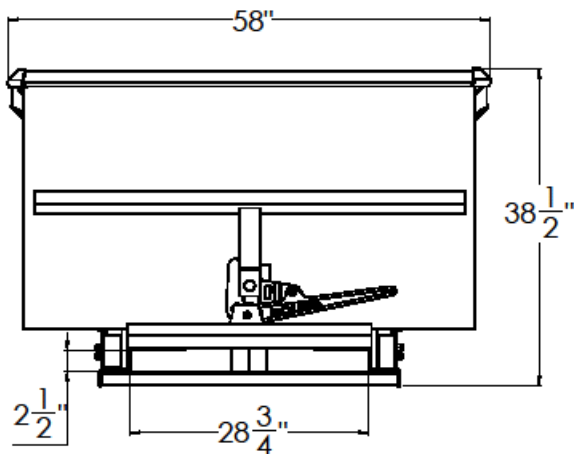
RUGGED HOPPER MODEL

3T-3/16-405 1 ½ CU YD

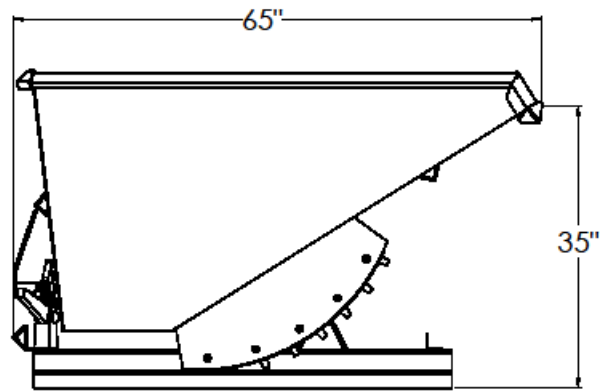


MODEL #	SIZE	L	W	H	LH	FORK OPENING	WEIGHT	CAPACITY
3T-3/16-405	1 ½ CU YD	65"	58"	38 ½"	35"	2 ½" X 28 ¾"	710 LBS	6000 LBS

RUGGED 3T-3/16-405



BACK VIEW



SIDE VIEW

CONSTRUCTION: 7 gauge plate body and 5/16" formed plated base. Bodies are 100% continuous weld for superior construction. Ductile iron handle, standard stops and secure flip latch are standard on this model.

FINISH: Bright safety green enamel paint (other colors optional).

OPTIONAL ITEMS ARE AVAILABLE

"FOR ALL YOUR MATERIAL HANDLING NEEDS!"