



**ROURA**  
MATERIAL HANDLING

Michigan: (800) 968-9070

Mississippi: (800) 654-9147

[rouramh.com](http://rouramh.com)

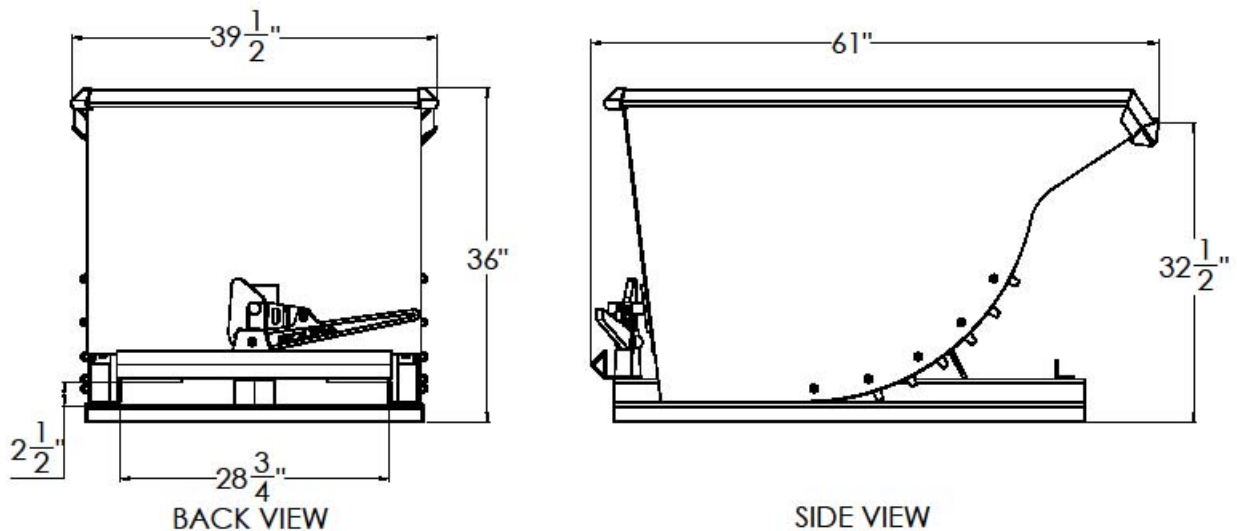
## RUGGED HOPPER MODEL

3T-3/16-205 3/4 CU YD



MODEL #	SIZE	L	W	H	LH	FORK OPENING	WEIGHT	CAPACITY
3T-3/16-205	3/4 CU YD	61"	39 1/2"	36"	32 1/2"	2 1/2" X 28 3/4"	558 LBS	6000 LBS

### RUGGED 3T-3/16-205



**CONSTRUCTION:** 7 gauge plate body and 5/16" formed plated base. Bodies are 100% continuous weld for superior construction. Ductile iron handle, standard stops and secure flip latch are standard on this model.

**FINISH:** Bright safety green enamel paint (other colors optional).

**OPTIONAL ITEMS ARE AVAILABLE**

**"FOR ALL YOUR MATERIAL HANDLING NEEDS!"**