



ROURA
MATERIAL HANDLING

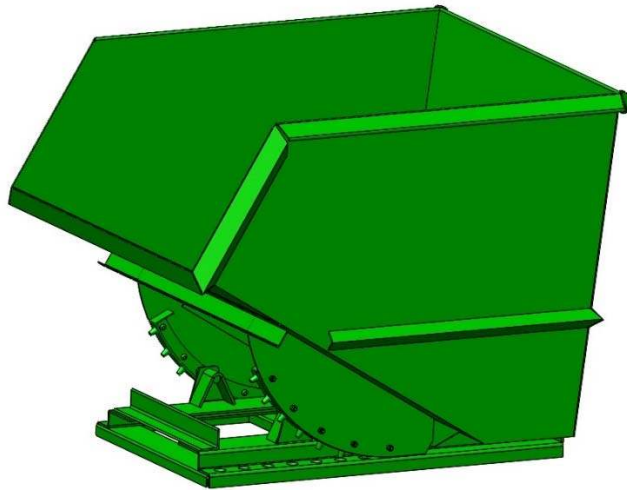
Michigan: (800) 968-9070

Mississippi: (800) 654-9147

rouramh.com

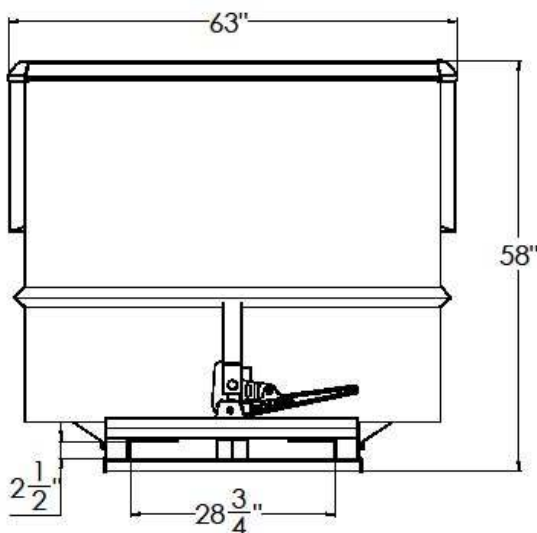
DURABLE HOPPER MODEL

2T-10-810 3 CU YD

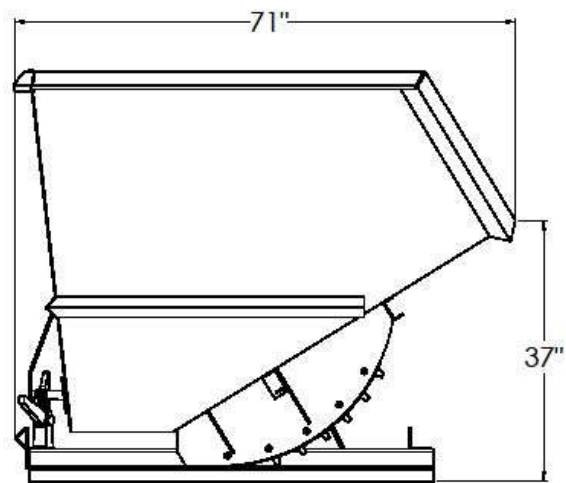


MODEL #	SIZE	L	W	H	LH	FORK OPENING	WEIGHT	CAPACITY
2T-10-810	3 CU YD	71"	63"	58"	37"	2 1/2" X 28 3/4"	916 LBS	4000 LBS

DURABLE 2T-10-810



BACK VIEW



SIDE VIEW

CONSTRUCTION: 10 gauge plate body and 5/16" formed plated base. Bodies are 100% continuous weld for superior construction. Ductile iron handle, standard stops and secure flip latch are standard on this model.

FINISH: Bright safety green enamel paint (other colors optional).

OPTIONAL ITEMS ARE AVAILABLE