



**ROURA**  
MATERIAL HANDLING

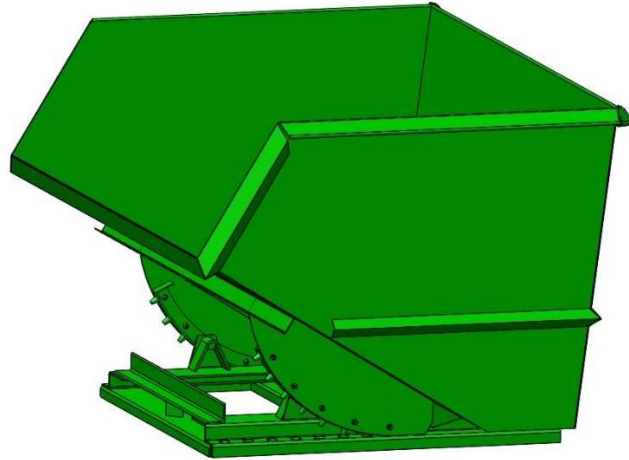
Michigan: (800) 968-9070

Mississippi: (800) 654-9147

[rouramh.com](http://rouramh.com)

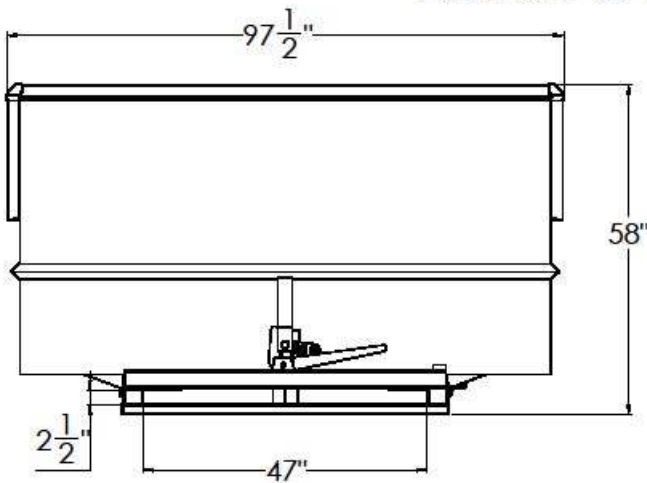
## DURABLE HOPPER MODEL

2T-10-1500 5 CU YD

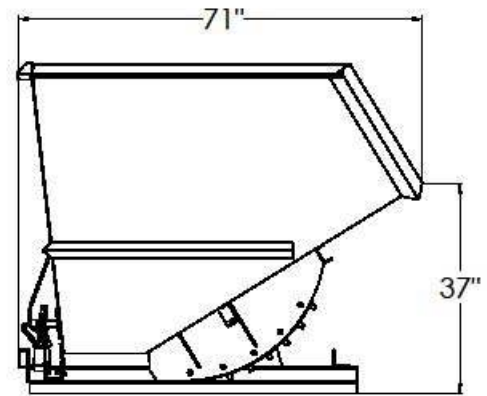


MODEL #	SIZE	L	W	H	LH	FORK OPENING	WEIGHT	CAPACITY
2T-10-1500	5 CU YD	71"	97 1/2"	58"	37"	2 1/2" X 47"	1148 LBS	4000 LBS

DURABLE 2T-10-1500



BACK VIEW



SIDE VIEW

**CONSTRUCTION:** 10 gauge plate body and 5/16" formed plated base. Bodies are 100% continuous weld for superior construction. Ductile iron handle, standard stops and secure flip latch are standard on this model.

**FINISH:** Bright safety green enamel paint (other colors optional).

OPTIONAL ITEMS ARE AVAILABLE