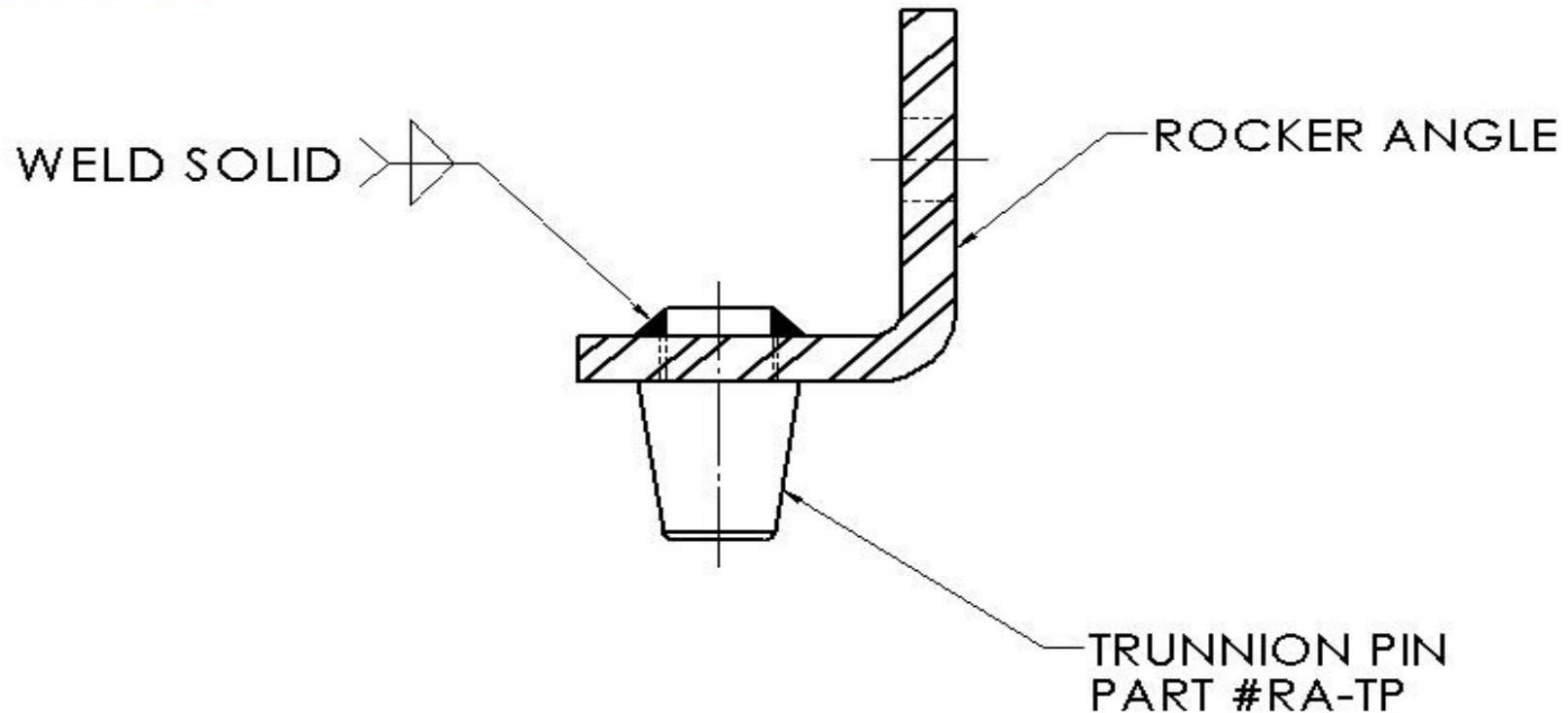


ROURA
MATERIAL HANDLING

TRUNNION PIN REPLACEMENT INSTRUCTION.



NOTES:

- 1.) TO REPLACE #RA-TP TRUNNION PINS ON ROURA HOPPER.
- 2.) WHEN WELDING NEW TRUNNION PINS ON YOUR HOPPER ROCKER ANGLE.
INSERT THE NEW TRUNNION PIN AND WELD THE BACK OF EACH TRUNNION PIN AS SHOWN.