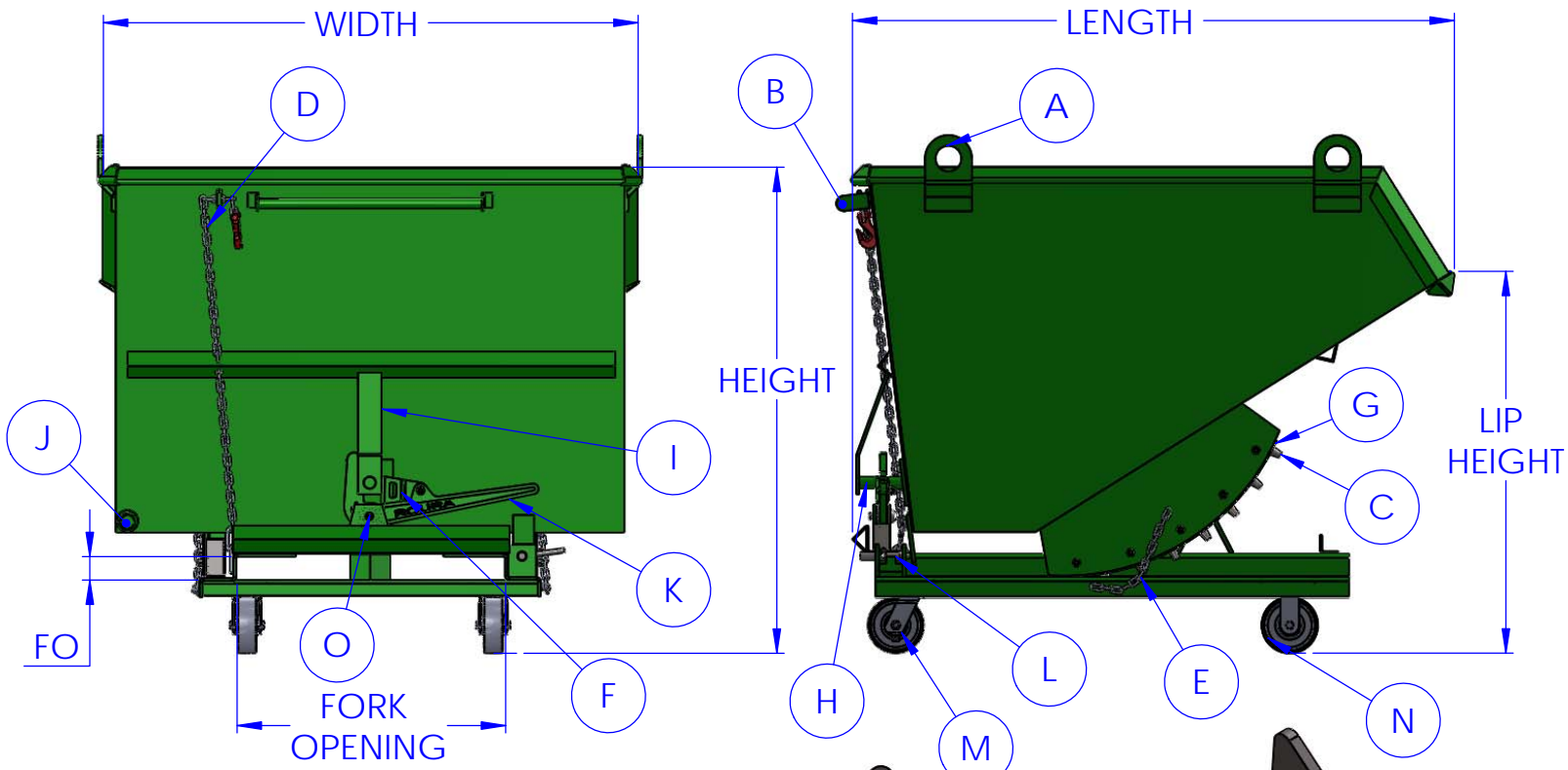


SELF-DUMPING HOPPER OPTIONAL PARTS



- ITEM O
SPLIT RIVET
PART NO.- HAN-SR
- ITEM F
FLIP LATCH PLATE
PART NO.-HAN-CAST-FOHL
- HANDLE FLAT SPRING
PART NO.- HAN-FS
- ITEM K
DUCTILE IRON HANDLE
ITEM NO. HAN-DIH
- TRIP LEVER ASSEMBLY
PART NO.
(DUCTILE IRON)- HAN-DIH-ASM
(STEEL HANDLE) - HAN-STH-ASM
- ITEM H
BACK PAD ASSEMBLY
PART NO. - BKP-LG-ASM
BKP-SM-ASM
- ITEM I
BACK PAD STRAP
ITEM NO. BKP-STRP-LG
BKP-STRP-SM
- ITEM E
BASE TO BODY CHAIN
PART NO. CHAIN-30-SSC
- ITEM A
CRANE EYE LIFTING LUG
PART NO. - CRNEYE-ASSM
- ITEM B
PUSH HANDLE
PART NO. PH-HNDL-ASM
- ITEM G
ROCKER ANGLE
PART NO. - RA-4P
RA-7P
RA-8P
RA-10P
- ITEM L
SLIDE BOLT LATCH
PART NO. SBL-ASM
- ITEM J
1" DRAIN WITH PLUG
PART NO. - DRAIN-1D100%-ASM
- ITEM C
TRUNNION PIN
PART NO. - RA-TP
- ITEM N
RIGID CASTER
- ITEM M
SWIVEL CASTER
- PART D
BASE TO MAST CHAIN
PART NO. CHAIN-40-MSC