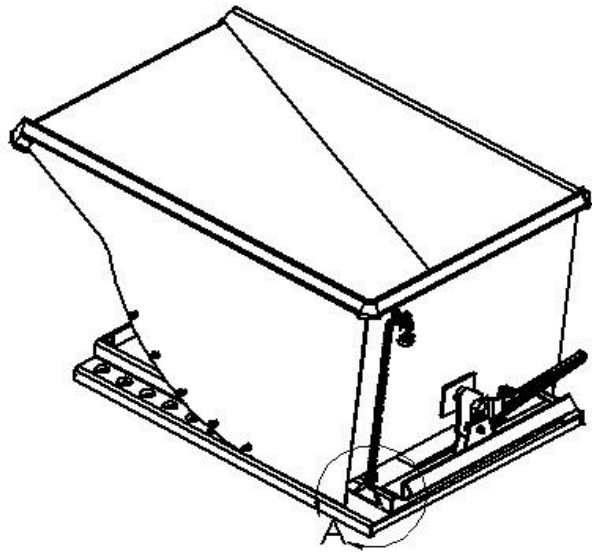


ROURA
MATERIAL HANDLING

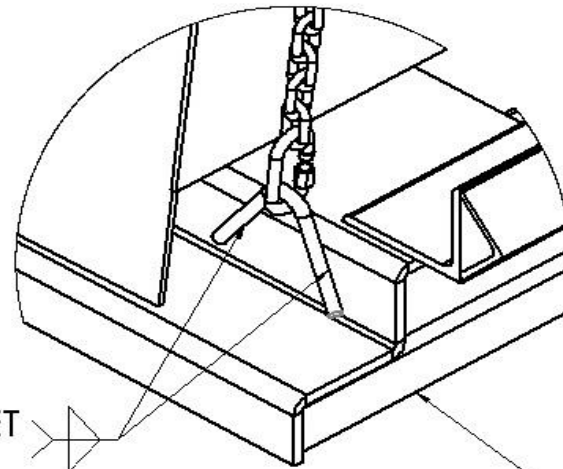
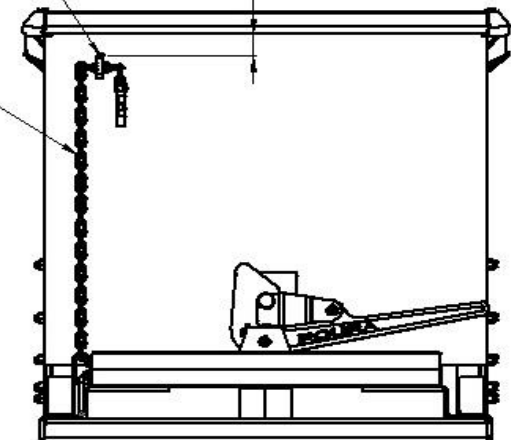
MAST SECURE CHAIN INSTALLATION INSTRUCTIONS.

WELD BOTH SIDE OF BRACKET
PART #CHAIN-GH

4" APPROX.



BASE TO MAST CHAIN
PART #CHAIN-40-MSC



WELD BOTH SIDE OF BRACKET
(#CHAIN-MNTHK-3-8RNG)

HOPPER BASE

DETAIL A