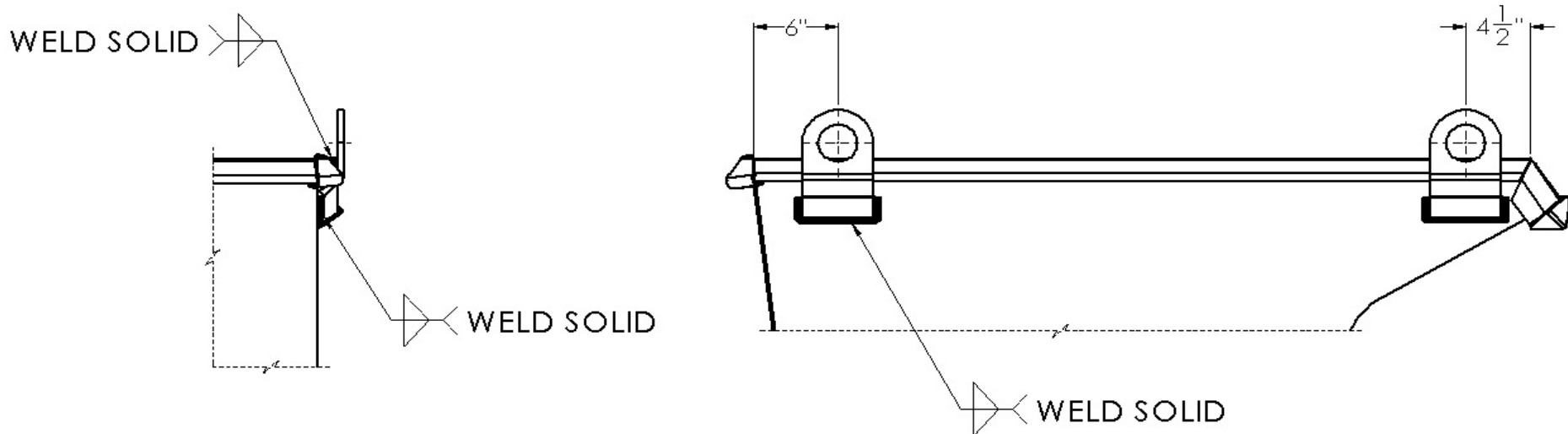




CRANE EYE INSTALLATION INSTRUCTIONS.



NOTES:

1.) CRANE EYE LIFTING LUG IS TO BE PLASD AS SHOWN, ALL WELDABLE SURFACES SHOULD BE WELDED SOLID.

2.) BASE TO BODY CHAINS (#CHAIN-30-SSC) TO BE INSTALLED WITH LIFTING LUGS.